









KENARI DJAJA

SINCE 1965

We provide more than security

www.kenaridjaja.com

TABLE OF CONTENTS

I. INTRODUCTION

Chairman's Speech	III
About Us	IV
Certificate Of Achievements	V
Certificate Of Acknowledgements	VII
Our Services	IX
Material Finishes	X
Masterkey System	XI
Installation & Maintenance Tips	XII

III. DOOR HARDWARE

CISA	1
KEND	20

IV. SLIDING & FOLDING HARDWARE SYSTEM

KEND - Sliding & Folding System	67
Coburn - Sliding Door System	69
Coburn - Folding Door System	79

V. KENARI PARTISI

Induction Glass System	86
Foldaside	89
Sliding Glass System	93
Pivot Sliding Glass System	95
Cubical Toilet Glass	97
Cubical Toilet LM	99
Movable Partition	101
Project Reference	106



HENDRY SJARIFUDIN

WE PROVIDE MORE THAN SECURITY

Established 58 years ago, Kenari Djaja carries the spirit of continuous development to always provide the best service for our customers.

We believe that our achievements could not have been possible without the support of various parties, especially our loyal customers.

Kenari Djaja provides a variety of services that aim to provide assistance and convenience for our customers, who are mainly professionals working in architecture and interior design fields.

We hope this product catalogue book could be helpful when selecting and determining the best products for your technical and building security system needs.

Despite our best efforts, we realize that the preparation of this book is far from perfect. We would love to hear your inputs and feedbacks regarding this book should you have any.

Lastly, we would like to express our sincere gratitude for your attention and cooperation. We hope that this product catalogue book could be helpful for all of us.



STARTED FROM KENARI MARKET



Kenari Djaja started from a small kiosk in one corner of Kenari Market, Salemba, on February 27, 1965. We began our work in the building material business, specializing in locks, handles, and door & window accessories.

TO GIVE MORE THAN JUST SECURITY

For 58 years, Kenari Djaja has proved itself to be the most experienced and highly reputable door and window security provider. Kenari Djaja also provides other services to cater to customers' needs.

HOME BRAND



DISTRIBUTOR



CERTIFICATE OF ACHIEVEMENTS





KENARI DJAJA WON 7 AWARDS FROM MURI

- 1 Distributor Pertama Khusus Kunci dan Perlengkapannya
- 2 Distributor Kunci Pertama yang Mengenalkan Sistem Masterkey untuk Bangunan Rumah Tinggal
- 3 Distributor Kunci Pertama yang Menyediakan Jasa Layanan Darurat 24 Jam
- 4 Distributor Kunci Pertama yang Memasarkan Merk Dagang Sendiri
- 5 Distributor Kunci yang Memiliki Ruang Pamer Terbanyak
- 6 Penyelenggara Pertama Sayembara Gagang Pintu
- 7 Webinar Arsitektural Peserta Terbanyak

CERTIFICATE OF ACKNOWLEDGEMENT



Allegion (Southeast Asia) Pte. Ltd.
31 Ubi Road 1, #07-01,
Aztech Annex Building,
Singapore 408694.
Office: 65-64882562
Fax: 65-62277018
www.allegion.com

1st June 2022

PT. Kenari Djaja Prima
JL. Pinangsia Raya No. 16 B-C
Kelurahan Pinangsia Jakarta
11110 Indonesia

TO WHOM IT MAY CONCERN,

Re: Authorized Distributor Letter for the Year 2022

ALLEGION is a \$2+ billion provider of security solutions for homes and businesses through our own 30+ global brands, including Schlage[®], Milre[®], CISA[®], LCN[®], and Von Duprin[®]. Specializing in security and safety around the doorway and beyond. Our offering includes security, biometrics, access control, time and attendance solutions, in addition to a comprehensive range of mechanical and electronic locking devices.

It is our pleasure to confirm that PT. Kenari Djaja Prima is an Allegion authorized distributor in Indonesia for our CISA[®] product portfolio.

We look forward to continuing our long and close collaboration.

Should you have any questions or require clarification, please do not hesitate to contact me directly at +6596330618 / jason.kurek@allegion.com.

Sincerely,

ALLEGION (SOUTHEAST ASIA) PTE LTD

Jason Kurek
General Manager | Southeast + North Asia (ASEANA)

Brio ■ Briton ■ CISA ■ Milre ■ SCHLAGE ■ Simons Voss
technologies



Capitale sociale € 3.500.000,00 interamente versato – C.C.I.A.A – R.E.A. BO 391277 – Reg. Imprese P.I. e C.F. n. 01833121203

Zola Predosa, 07/07/2022

**PT. KENARI DJAJA PRIMA
INDONESIA**

Re.: DECLARATION LETTER

Viro S.p.A., located in Via Garibaldi 4, Zola Predosa 40069 (BO) Italy
is hereby certifying that "KEND" branded products for Lockcases & Panic Devices are originally
produced by Viro S.p.A - Italy and specially supplied only to M/S PT. KENARI DJAJA PRIMA,
with its head office in Jalan Pinangsia Raya No. 16 B-C, Jakarta 11110, Indonesia.

Yours faithfully,

VIRO S.P.A.
Gianfranco Dondarini
General Manager & CEO

A handwritten signature in blue ink, appearing to be "G. Dondarini", written over a horizontal line.

ISO 9001
BUREAU VERITAS
Certification



Viro S.p.A.
Via Garibaldi n. 4 – 40069 Zola Predosa BO – (Italy)
Tel. N. +39 051 6176511 Fax +39 051 755079 - Fax Customer Service +39 051 754022
www.viro.it - viro@viro.it



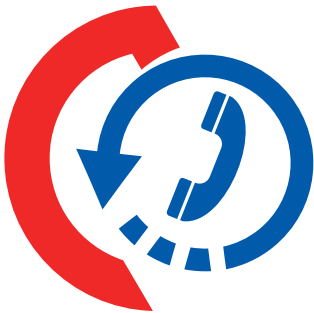
FREE SURVEY SERVICE

We will come to survey the doors and windows of your building, and help provide solutions to your problems free of charge.



PRODUCT WARRANTY

We only provide guaranteed quality products with a mechanical warranty ranging from 25 years to the building age.



EMERGENCY SERVICE 24 HOURS

Our technicians are always available 24 hours, 7 days a week to help you with any emergency door and window lock or equipment problems. Contact:

- 0811 131 675 (Jakarta)
- 0815 4244 3639 (Semarang)



MASTER KEY

A locking system where one master key can open multiple doors while maintaining the individual lock function of each door.



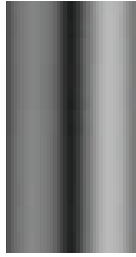
IRONMONGERY SERVICE

We will provide a detailed list of products required for your doors and windows based on design drawings.

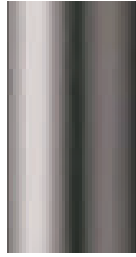
BLACK SERIES



BL
Matte Black



SB
Satin Black

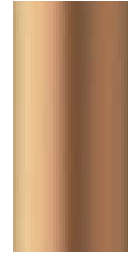


DU
Dark Umber

GOLD SERIES



RG
Rose Gold
Satin



GL
Gold Satin



BRS
Brass

WOOD SERIES

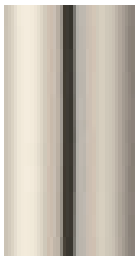


NW
Natural Wood

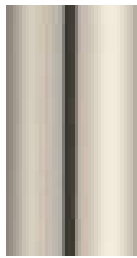


DW
Dark Wood

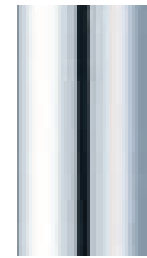
NICKEL SERIES



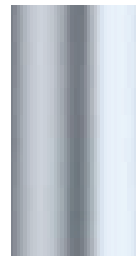
US14
Polished
Nickel



US15
Satin
Nickel



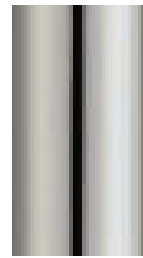
US32
Polished
Stainless Steel



US32D
Satin
Stainless Steel



US26D
Satin
Chrome



US26
Polished
Chrome

STAINLESS SERIES

CHROME SERIES

HANDLE TYPE



P
Pull
Handle



PP
Pull
Handle
on Plate



PR
Pull
Handle
on Rose



HP
Handle
on Plate



HPAL
Handle
on Plate For
Aluminium
Frame



HRE
Handle Rose
with Escutcheon



HREO
Handle Rose
with Escutcheon
Oval



FPP
Flush Pull
Plate



FRP
Flush Ring Plate

Master key is a locking system where one master key can open multiple doors while maintaining the individual lock function of each door.

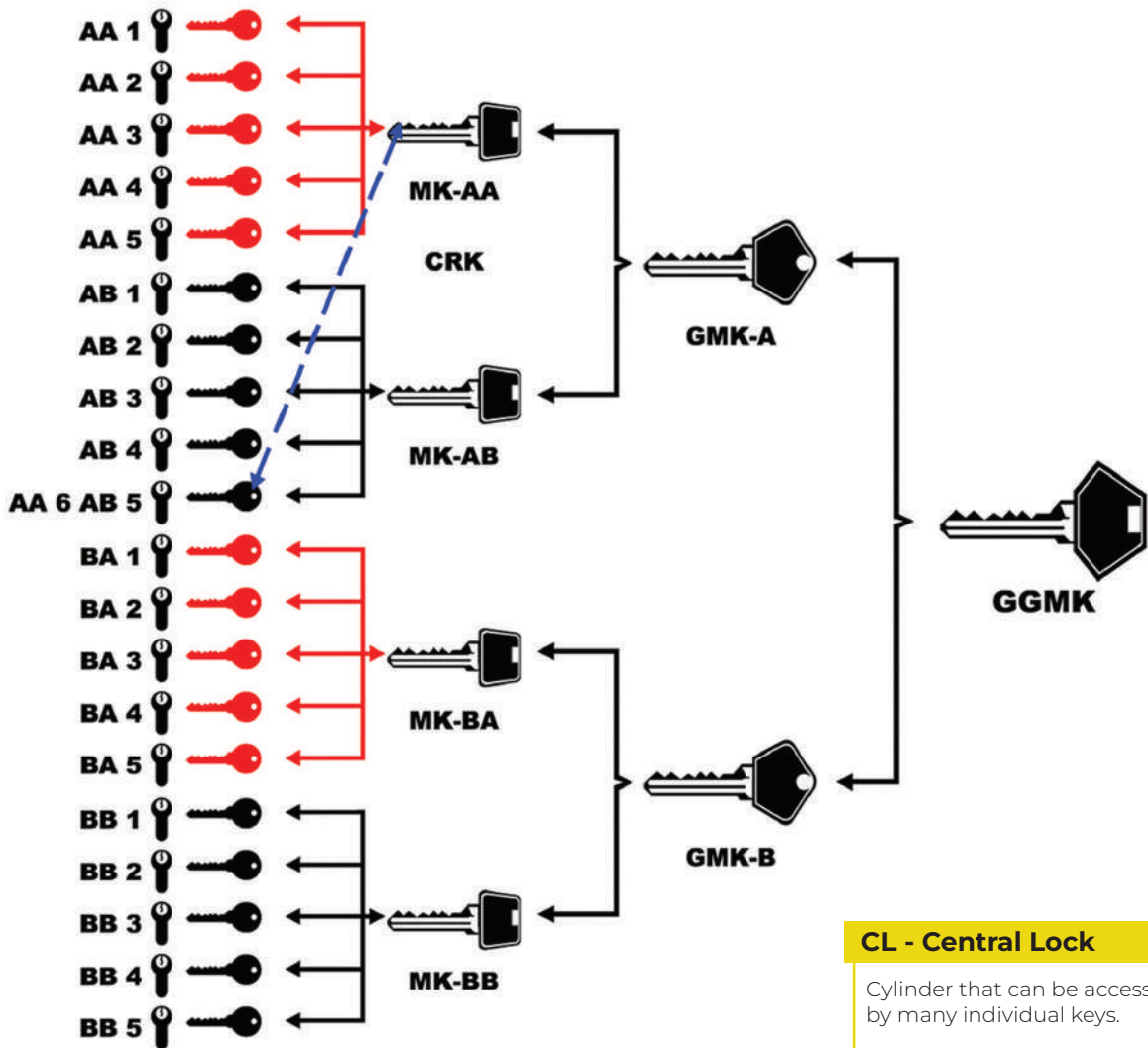
AA1-BB5

An individual key which varies from one to another.

CRK - Cross Key

A key that can open one or more keys of different groups.

An individual key.



CL - Central Lock

Cylinder that can be accessed by many individual keys.

Master Key

A key that can open all keys in the group without changing the function of individual keys.

Grand Master Key

A key that can open all keys of two or more master groups without changing the function of individual keys and their respective master key systems.

Great Grand Master Key

A key that can open all keys of two or more groups of grand master keys without changing the function of individual keys and their respective master key systems.



Avoid impact, harsh treatment and friction with sharp objects such as razors, screwdrivers, sandpaper, etc.



Do not apply finishing when the handle, lockcase, and cylinder are attached.



Avoid all kinds of adhesives and all types of oil, such as tape, stickers, oil, grease, etc.



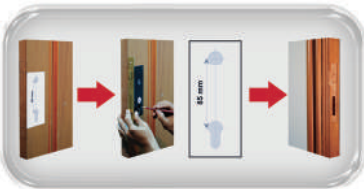
Maintain cleanliness by wiping off dust using a clean, dry microfiber cloth.



Avoid all types of finishing chemicals such as paint, varnish, melamine, polishing fluid, cleaning fluid, thinner, etc.



INSTALLATION TIPS



1 Mark the position of the lockcase, cylinder and axle handle on the door and the striking plate on the jamb.



2 Punch holes in the door and frame according to the marks.



3

- Put on the lockcase.
- Make sure the latch bolt is positioned correctly in the direction of door opening.
- Put striking plate on the frame.



4 Install the cylinder and cylinder bolt



5 Install handle and test the mechanical lock function by pressing the handle and turning the key.



Aluminum & Wooden Door
Mortise Lockcase

Five Point Lock

Heavy Duty Lockcase

Electric Lockcase

Rim Lock & Spranga Espanyolette

Cylinder

Floor Hinge

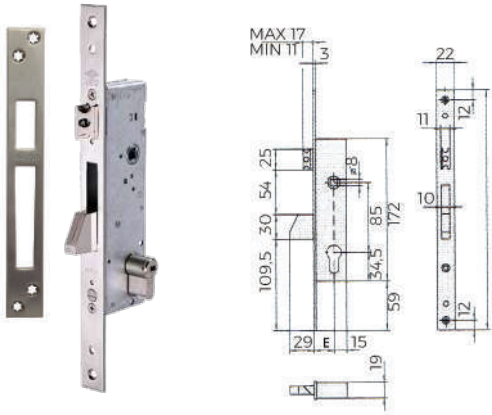
Padlock

Door Closer

Panic Exit



FOR SINGLE ACTION DOOR



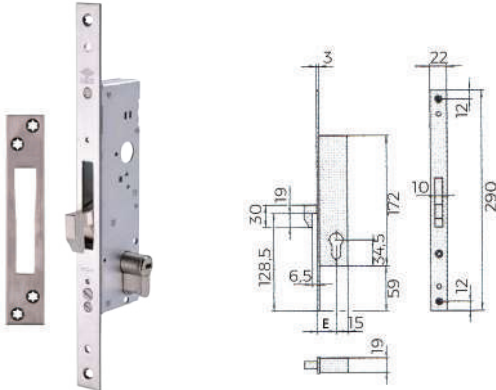
**TYPE
46215-25**

Technical Features

- Case : Zinc Plated-Steel
- Deadbolt : Hardened Steel
- Latch-Bolt : Nickel-Platted Brass
Adjustable 11 to 17mm
- Face Plate : Stainless Steel
- Striking Plate : Stainless Steel
- Finish : US32D (Satin Stainless Steel)

Cylinder not included

FOR SLIDING DOOR



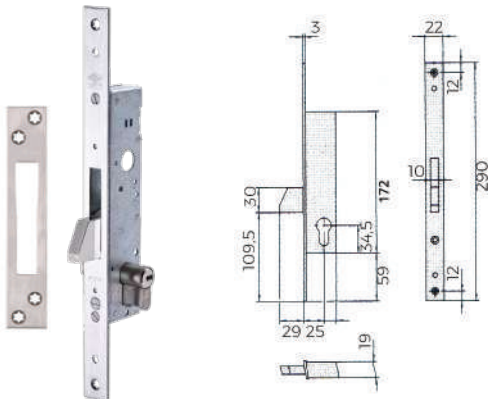
**TYPE
46240-25**

Technical Features

- Case : Zinc Plated-Steel
- Deadbolt : Hardened Steel
- Face Plate : Stainless Steel
- Striking Plate : Stainless Steel
- Finish : US32D (Satin Stainless Steel)

Cylinder not included

FOR DEADLOCK



**TYPE
46210-25**

Technical Features

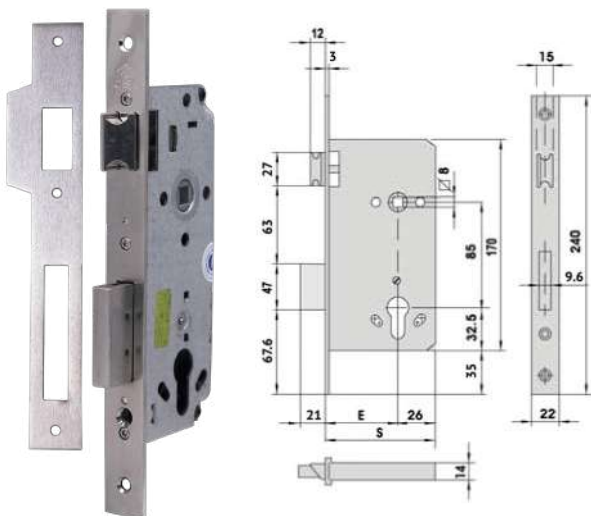
- Case : Zinc Plated-Steel
- Deadbolt : Hardened Steel
- Face Plate : Stainless Steel
- Striking Plate : Stainless Steel
- Finish : US32D (Satin Stainless Steel)

Cylinder not included

CERTIFICATION :

This lock series is certified according to the European standard EN 12209.3 security class 3 (500 kg side thrust and 400 kg front thrust resistance).

SWING LOCKCASE FOR SINGLE ACTION DOOR

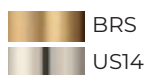


TYPE 5C110

Technical Features

- Case : Zinc-Plated Steel Case
- Deadbolt : Solid Brass
- Latch-Bolt : Solid Brass, Reversible
- Face Plate : Brass
- Striking Plate : Brass

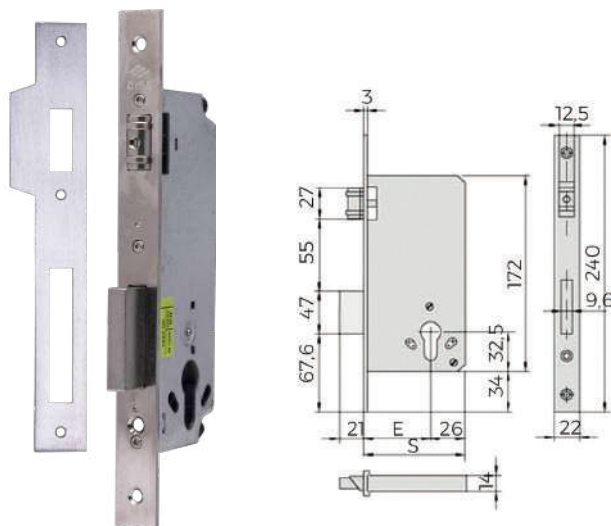
Available Finishes



TYPE	E (Backset)	S
5C110-40	40	66
5C110-60	60	86



SWING LOCKCASE FOR SINGLE ACTION DOOR

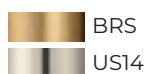


TYPE 5C120

Technical Features

- Case : Zinc-Plated Steel Case
- Deadbolt : Solid Brass
- Roller-Bolt : Solid Brass, Adjustable
- Face Plate : Brass
- Striking Plate : Brass

Available Finishes



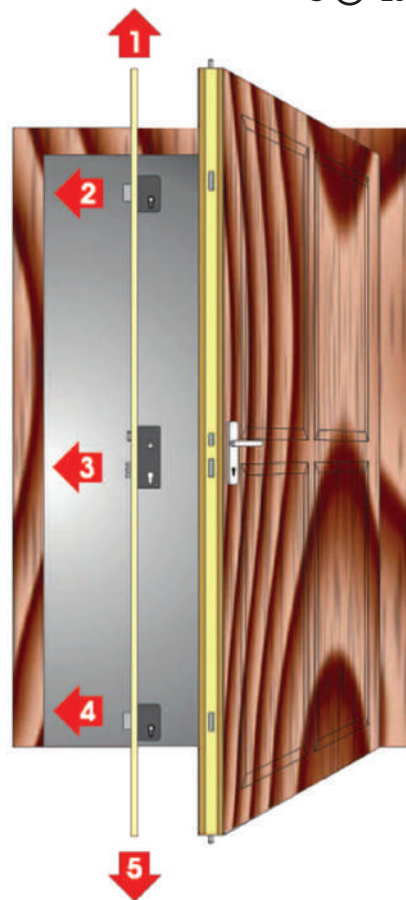
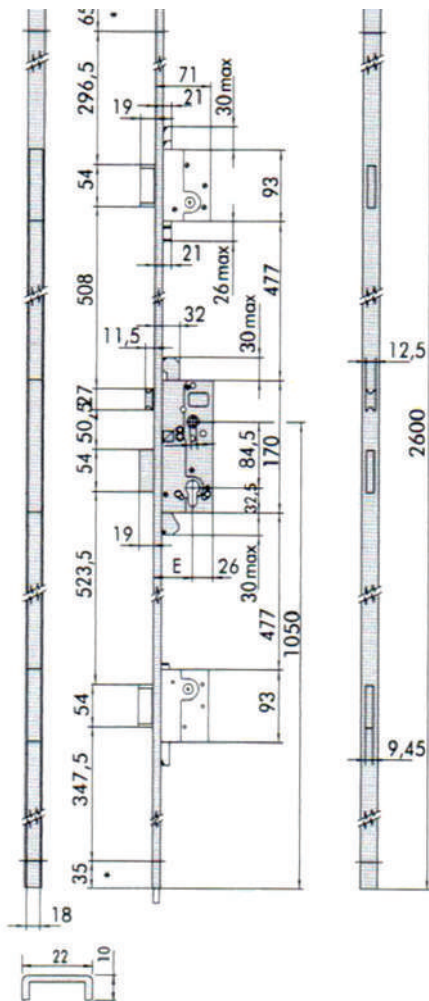
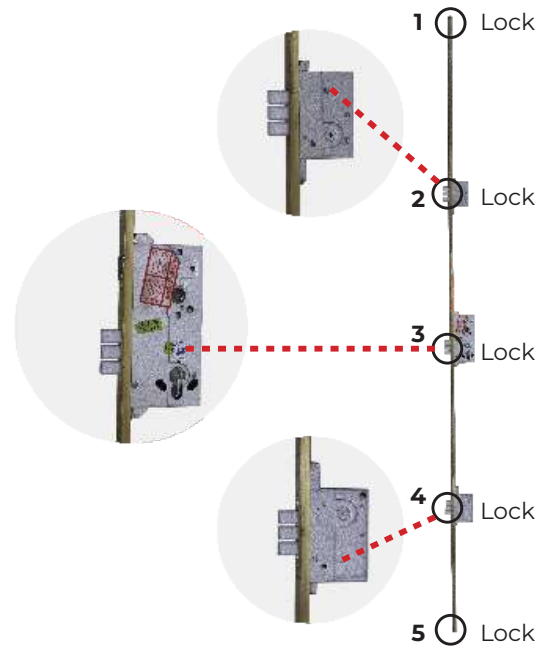
TYPE	E (Backset)	S
5C120-40	40	66
5C120-60	60	86

TYPE
53157-60 for Swing Latch Bolt
53137-60 for Roller Latch Bolt

Technical Features

- Case : Zinc-Plated Steel
- Deadbolt : 3 Pin Nickel Plated Steel, Double Throw
- Latch/Roller-Bolt: Brass
- Face Plate : Brass
- Striking Plate : Brass
- Finishing : Brass

Lacquered satin brass adjustable U-shape faceplate
 22 x 10 mm, 2.600 mm.
 - Upper adjustable 650 mm
 - Lower adjustment 35 mm





CERTIFIED

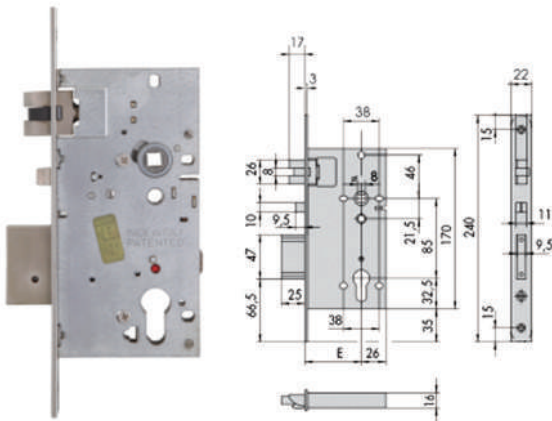
Satin stainless steel face plate and striker, are certified fire resistant by the American Underwrite Laboratories (UL LISTED R 14945 (N)).



TYPE 52710-60

Functions

- For entrance doors
- Deadbolt and deadlocking latch
- Latch-bolt is operated by handle or cylinder from either side
- Deadbolt is operated by cylinder from either side
- Automatic deadlocking latch



The Quality

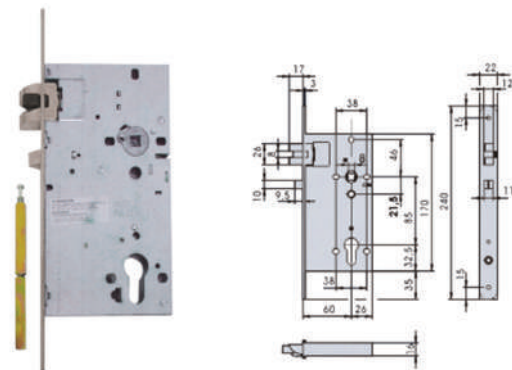
The technical features, materials, and design of this lock are made to guarantee perfect operation under any condition.

- Anti Friction Latch Bolt
- Deadbolt with Saw-Resistant Protection
- Automatic Deadlocking Latch

TYPE 52760-60

Functions

- For classroom or panic doors
- Deadlocking and latch bolt only
- Split spindle
- Latch bolt is operated by handle from either side
- The outside handle may be activated or deactivated by cylinder
- Reversible panic function
- Automatic deadlocking latch



Technical Features

- Fire resistance : all material used in the lock have a melting point of >1050°C
- All material are corrosion-resistant
- Provision for through-bolt fixing for handles and escutcheon
- 8mm follower
- Zinc-plated steel case
- Nickel-plated latch-bolt

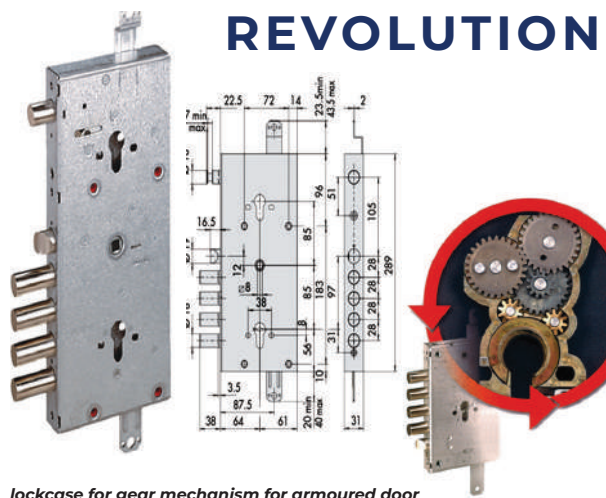
FOR ARMoured DOOR

TYPE 56766 - 28

The European cylinder lock can be integrated with a master key system for customized locks to open several doors (gate, garage and armoured door) with one key. Easy rotation of the key is the main distinguishing quality of CISA revolution lock..

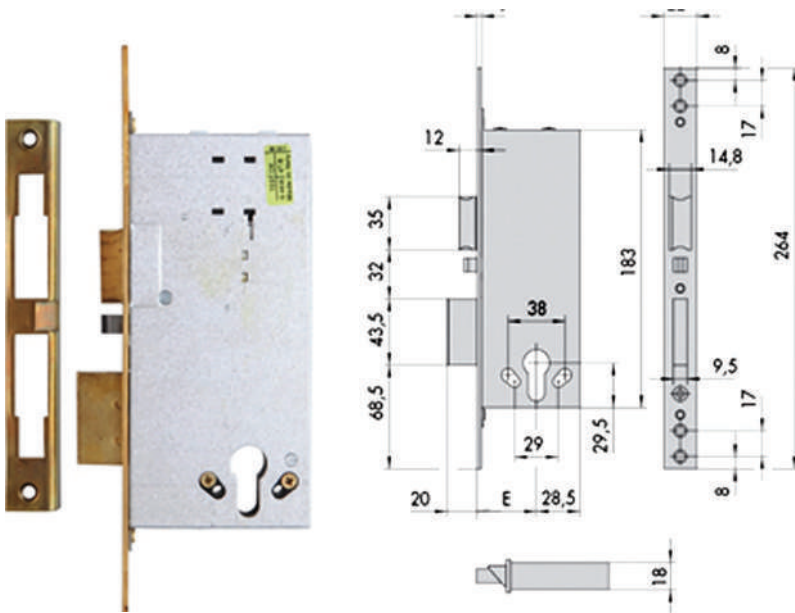
Technical Features

- Zinc-plated steel case
- Nickel-plated reversible steel latch
- Nickel-plated steel bolts
- Can be fitted with additional locking point
- Double throw cylinder lower lock



lockcase for gear mechanism for armoured door

ELECTRIC LOCK (FOR WOODEN DOOR)


**TYPE
12010-60**
Technical Features

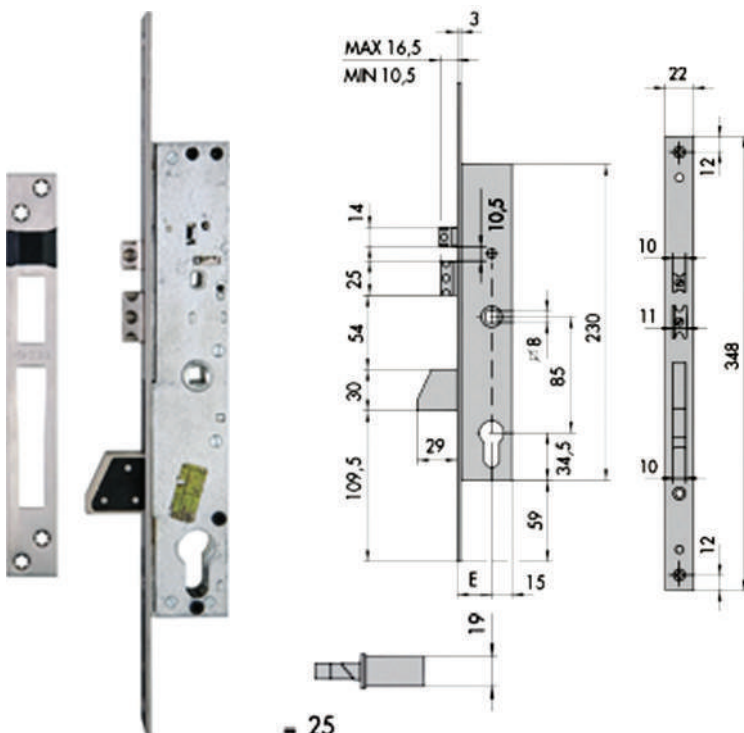
Case	: Zinc-Plated Steel
Deadbolt	: Brass
Latch Bolt	: Brass
Face Plate	: Brass
Striking Plate	: Satin Brass
Power Supply	: 12 V AC CE

- Not include cylinder

- Can be combined with access control system



ELECTRIC LOCK (FOR ALUMINUM DOOR)


**TYPE
16216-25**
Technical Features

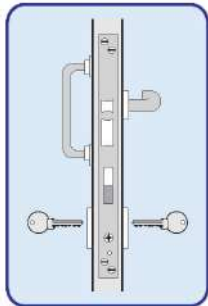
Case	: Zinc-Plated Steel
Deadbolt	: Sides Strengthened by Hardened Steel Pates
Latch Bolt	: Stainless Steel
Face Plate	: Stainless Steel
Striking Plate	: Stainless Steel
Power Supply	: 12 V AC CE

- Cylinder not included

- Can be combined with access control system

SYSTEM OPERATION FUNCTIONS

OUTSIDE INSIDE



OUTSIDE

Outside/inside pull handle only functions as a door pull. Latch bolt is operated by key or electric button from outside, and by key or mechanic button from inside. Deadbolt is operated by key from either side and cannot be operated with electric or mechanic button.

For Aluminium Door

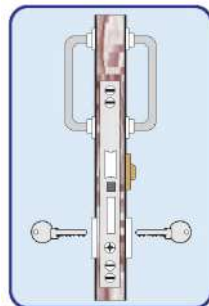
Lockcase : 16216-25

Contact Set : 06510

Transformer : 07062 KL

Additional : Cylinder + Pull Handle/Lever Handle Inside

OUTSIDE INSIDE



OUTSIDE

Outside/inside pull handle only functions as a door pull. Latch bolt is operated by key or electric button from outside, and by key or mechanic button from inside. Deadbolt is operated by key from either side and cannot be operated with electric or mechanic button.

For Wooden Door

Lockcase : 12010-60

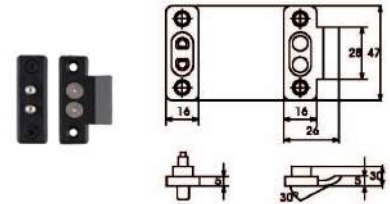
Contact Set : 06510 (Included)

Transformer : 07062 KL

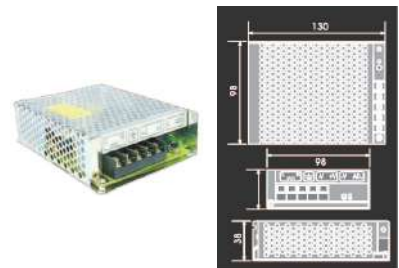
Additional : Cylinder + Pull Handle

ACCESSORIES

CISA 06510 ELECTRIC CONTACT SET



TRANSFORMATOR 07062KL (110/220-15V)



RIMLOCK ELETTRIKA TYPE 1A630 - 1A721 - 1A731



CISA ELETTRIKA

"Elettrika", the electrically operated lock by CISA, is the ideal solution for controlling the opening and closing cycle of all types of doors and gates, ensuring a higher resistance to breaking..



CYLINDER ONLY



PUSH-BUTTON ONLY



CYLINDER & PUSH-BUTTON

Technical Features

- Protective steel casing
- Rotary hook deadbolt in extruded aluminium
- Metal striker with stainless steel "swinging rod"
- Coated internal components
- Power supply: 12V a.c. CE
- Absorbed current: 3A

Operation

- From outside with a key
- From inside with a push-button or a key plus electric remote contro

Supplied as standard

- Striker
- Single or double cylinder
- Fixing screws
- Fixing plates (if required)
- 2 spacers for the striker
- Instruction sheet
- 3 keys item 1.01070.10.1

Hand

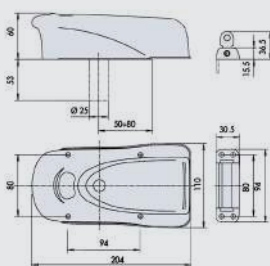
- Non handed

Finishes

- Zinc-coated epoxy powder paint in grey

Standards

- Certified to EN 14846:08: Grade 6 Security (2,000kg lateral force)



MAIN FEATURES & BENEFITS:

Protection against forced entry.

Certified up to Security Grade 6 according to European standard EN 14846, guaranteed by the rotary hook deadbolt (patented) which provides resistance to a tensile strength of up to 2,000 kg (the standard covers a maximum of 1,000kg). Complete with protective steel casing to make it difficult to access the internal lock parts when the door/gate is closed.

Closes automatically.

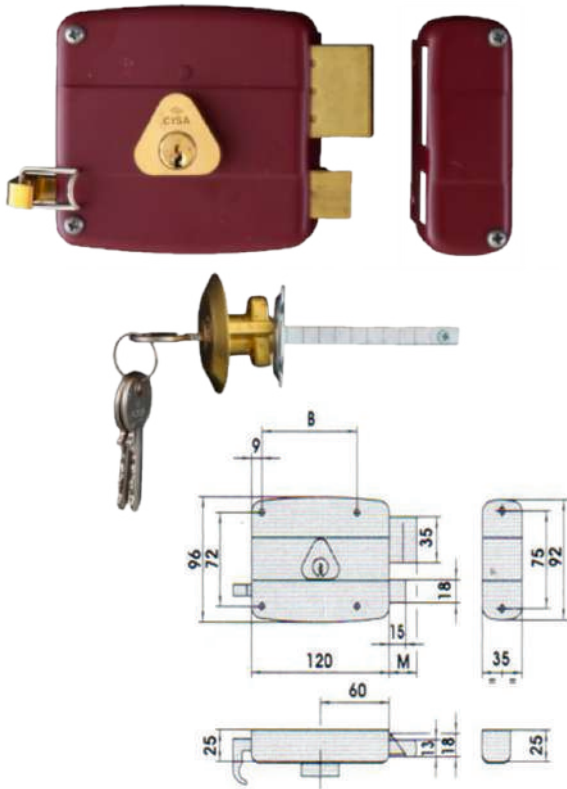
With Booster Plus module and when in "timing of opening command function" mode, the pedestrian gate/entrance door automatically closes when nobody enters the door within a space of time established by the user.

Door status is always under control.

The Booster Plus module has an indicator that lights up every time the door/gate is not securely closed (door status signal).

Silent opening.

The reloading system guarantees silent lock opening operation compared to traditional electric locks. The rotary hook deadbolt ensures immediate engagement of the floor striker, limiting rebound. Self-adjustable floor striker helps correct any slight change in position of the door/gate which may occur over the years, ensuring the lock continues to work properly over time.



**TYPE
50340**



Technical Features

- Case : Steel, Color Painted
- Striker : Steel, Color Painted
- Latch-Bolt : Brass
- Dead-Bolt : Brass
- Drawback Pull : Brass
- Finish : Red Painted

Please specify hand preference when ordering
1: Right Hand 2: Left Handed



Right Hand (RH)

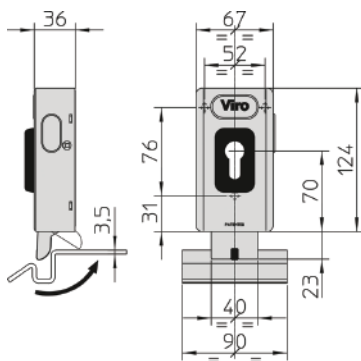


Left Hand (LH)

Operation

The lock can be opened from outside by key only, and from inside by draw back and deadbolt by key.

ELECTRIC RIMLOCK



**TYPE
7918.V469**



Technical Features

- Case : Steel, Color Painted
- Installation : Vertical or Horizontal
- Backset : 70mm

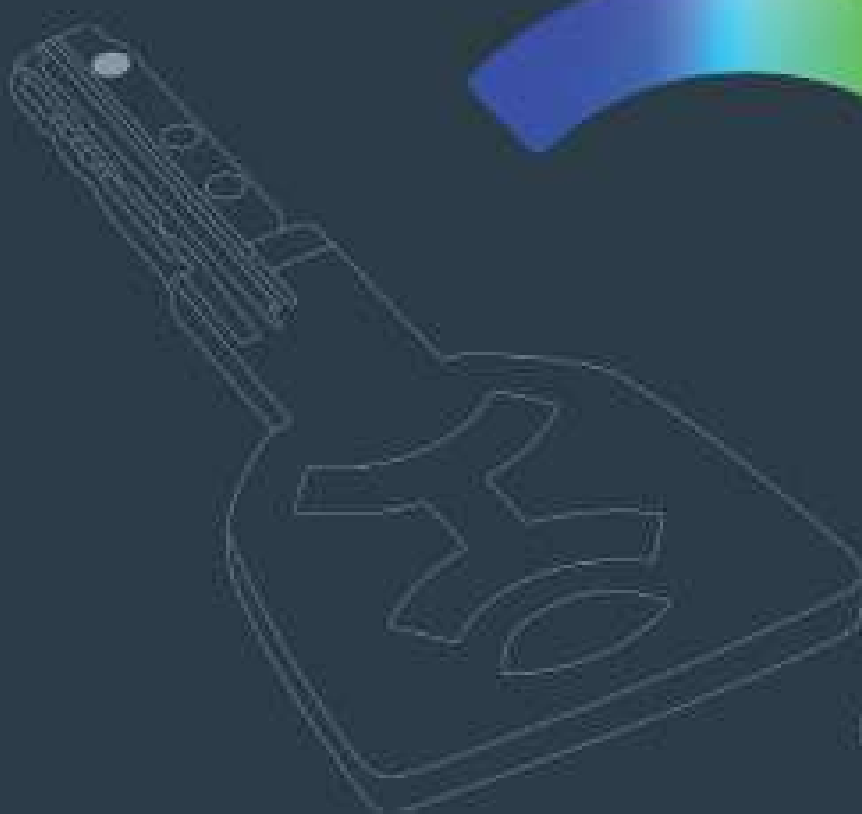
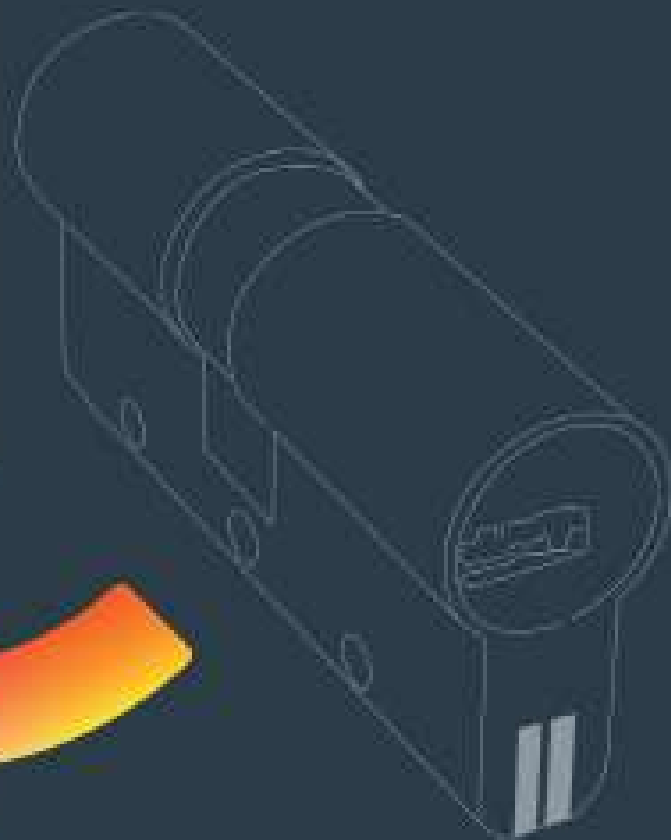
Function

- **Service (standard)** : Lock opens by electric impulse and only resets once the door/gate has been opened and then closed. Suitable for use with door closers and/or all types of automation system.
- **Security (selected by manually removing an internal part)** : Lock opens only when electric impulse and manual or automatic pressure are applied simultaneously. Not advised for use with a door closer and/or all types of automation systems.



AP4S ™
SYSTEM

AP4 S cylinder



Patented System
Protected Duplication by 3D®
Made In Italy

It is important that a cylinder offers two types of security: Active and Passive Security.

ACTIVE SECURITY

No more stressing when you lost your house keys or worrying someone would duplicate your key. With intelligent active security, keys cannot be duplicated without security card and patented key.

PATENDED KEY SYSTEM

A patended key cannot be duplicated. With patended keys, it is possible to control the distribution of key blanks and offer a more secure duplication service.

PASSIVE SECURITY

With passive security, the cylinder is resistant to forced entry using burglary tools. Passive security is a "defensive" element because it protects against forced entry tools with a specific mechanism providing five types of resistance:

1. Pushing Resistance

CISA cylinder have a cam that protrudes from the cylinder body, to anchor them more firmly to the lock.

2. Drill Resistance

CISA cylinder incorporate one or more steel components design to protect against the perforating action of a drill.

3. Picking Resistance

CISA cylinder have a design and pin configuration pattern that is spesifically made to protect against lockpicking.

4. Tearing Resistance

CISA cylinder is enhanced to be resistant to tearing.

5. Bumpin Resistance

CISA cylinder can effectively protect against bumping.

CISA AP4 S cylinders are the ideal solution for anyone who needs a high performance cylinder.

High Protection and Controlled Duplication, As keys can only be duplicated by CISA and its solution partners.

+40% Resistance To Pulling and Tearing, Thanks to the snap Resistant Feature, a dual-material steel core.

High Resistance To Bumping (Percussion), Bump Key Power (BKP) patented device provides high resistance to bumping.

High Resistance To Picking (Tampering), Thanks to the patented technology with floating drivers.

Shape Trademark Registered On The Key, To protect AP4 S and AP3 S key duplication and guaranteed compability with the previous version of the AP3 S cylinder.



ALL-REACHING SECURITY

The cylinder and key are both patented to ensure greater protection against the main techniques of forced entry and key duplication tricks. Key duplication can only be done by presenting Security Card at CISA Solution Partners or CISA.

ONE KEY FOR MULTIPLE ACCESSES

You can open several doors using the same key (KA) or control access with CE, MK, and GMK systems. This reduces the number of keys needed without lowering the level of security.

CONTROLLED ACCESS

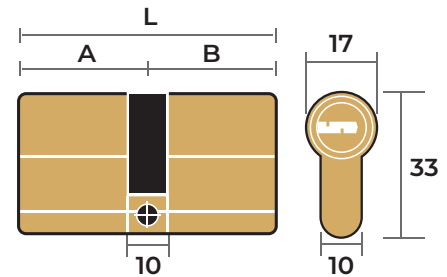
The system guarantees flexible, convenient, and secure access management. Entry to certain areas are only granted to authorized persons.

PERSONALISED KEYS

A colored insert can be applied to the key bow as an identifier.

APPLICATIONS

AP4 S is designed for high security applications in residential sector and for armored door industry. It offers excellent access management and protection against key duplication. Ideal for companies, shopping centers, universities, and hospitals.



DOUBLE CYLINDER OP3S1

Technical Features

- 12-pin key biting system (6 active, 5 passive, 1 patented pin).
- Brass body with segment pack along the length of the cylinder (excluding single cylinders, various cylinders, and rim cylinders).
- Brass plugs.
- Clutch-type cam in self-lubricating sintered DIN steel.
- Hardened steel pins and drivers.
- Phosphor bronze and steel springs.
- 100,000 cycles (in compliance with EN 1303: 2015 Durability: 6).

Available Finishes

- BRS
- US14

TYPE	A (mm)	B (mm)	L (mm)
OP3S1-10	32.5	32.5	65
OP3S1-13	36.5	36.5	73





**ASTRAL S CYLINDER
OA3S**



Technical Features:

- BKP (bumping resistant) registered patented
- 10 pins (6 active, 4 passive) key bitting system
- Brass body with dual-material SNAP RESISTANT core
- Brass body with segment pack extended through the entire length of the cylinder brass plugs
- Self-lubricating sintered steel projecting DIN CAM
- Pins and drivers in hardened steel
- Phosphor bronze springs
- Flat reversible key
 - in a special brass alloy nickel-plated
 - numbered on key head

Supplied as standard:

- 3 keys
- Code Card
- Fixing screw
- Operating and Maintenance Instruction

On request:

- Key with long neck (pers. CL), with personalised plastic piece and profile (pers. CP)

Finishes:

- Standard: sanded brass (fin.00)
- On request:
 - nickel-plated brass (fin.12)
 - polished brass (fin. 66)

Standards:

- Compliant with EN 1303:05
- Attack Resistance: grade C
- Key Related Security: grade 6
- Durability: grade 6

Certifications:

- ICIM EN 1303:15 16010C6C
- SKG**

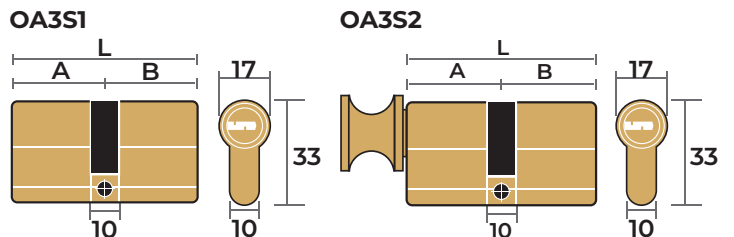
Patents:

- Snap system Europe EPI 583878
- BKP: PCT/W02007 /074163A1

Available Finishes



TYPE	A (mm)	B (mm)	L (mm)
Astral Double Cylinder			
OA3S1-13	35	35	70
Astral Knob Cylinder			
OA3S2-13K	35	35	70



ASIX P8

Asix P8 provides security and reliable performance in master key systems, making it the perfect solution for managing access in residential as well as in public and commercial buildings.

KEY SECURITY

- 8-pin key bitting system on 2 rows.
- Over 260.000 possible combinations (different keys).
- Excellent access management potential: can manage 37.000 cylinders with a single master key..



CYLINDER SECURITY

Attack Resistance

- BKP PATENT PCT/WO 2007/074163A1
Certified protection against bumping, thanks to BKP patented technology (Bump Key Power)
- Certified Protection Against Drilling
Thanks to the bitting system in carbonitratated steel.
- High Resistance to Forced Entry
Using the wax impression technique, thanks to the special configuration of the springs.



PERSONAL CARD

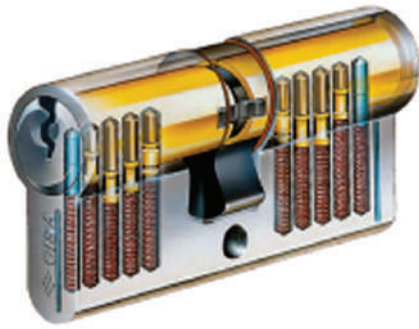
Personal Card allows you to obtain exact copies of keys using an electronic key cutting machine, thanks to the code printed on it.

CONSTRUCTION KEY FUNCTION

When Asix P8 is configured as a construction key, it becomes Asix P8 PRO, the ideal solution when armoured doors requiring basic security are to be installed.

The first time the owner of the apartment or office uses his owner key, the construction key is rendered inoperative.





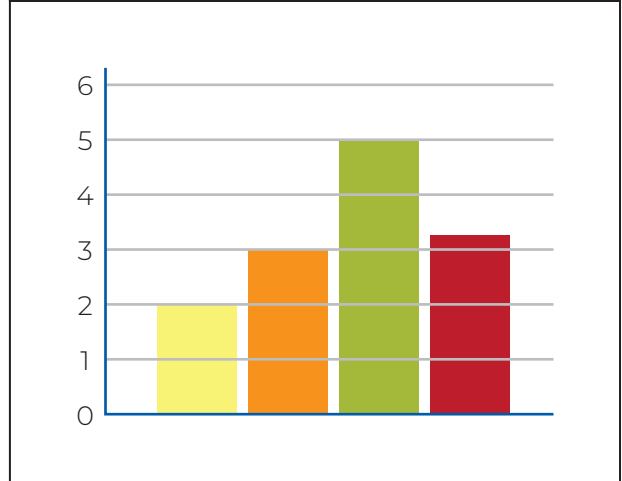
Technical Features

- Body : Brass
- Plugs : Brass
- Pins : Wear-Resistance Bronze
- Springs : Phosphor Bronze
- Key : Nickel-Plated Brass
BRS (Brass)
- Standard : Manufactured in compliance with EN 1303
- Durability : Grade 6 (100.000 cycles)
- Security : Grade 2

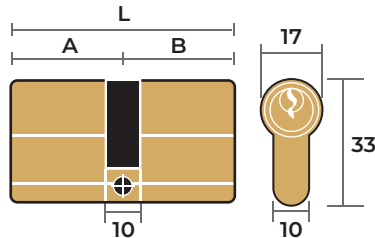
Operation

360° key rotation for one side. Key can only be inserted from one side at a time.

SICUREZZA SECURITY	POTENZIALITÀ GESTIONE ACCESSI KEY ARRANGEMENT CAPACITY	AFFIDABILITÀ RELIABILITY	PUNTEGGIO SCORE
2	3	5	3.3

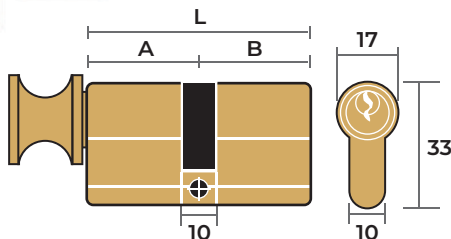
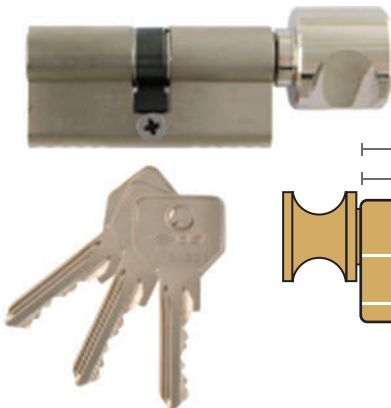


**DOUBLE CYLINDER
OG300**



TYPE	A (mm)	B (mm)	L (mm)
OG300-10	32.5	32.5	65
OG300-15	36.5	36.5	73
OG300-18	39.5	39.5	79
OG300-23	50	50	100

**KNOB CYLINDER
OG302**



Available Finishes

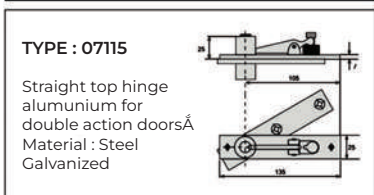
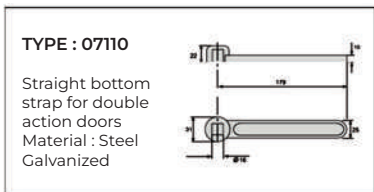
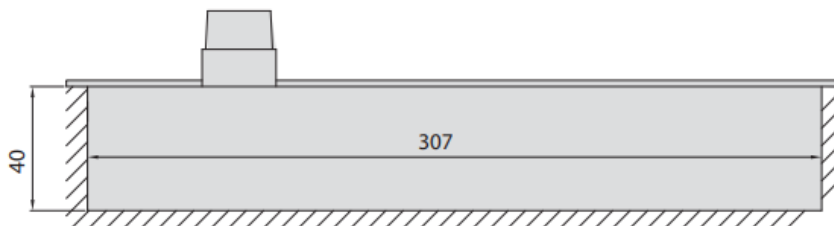
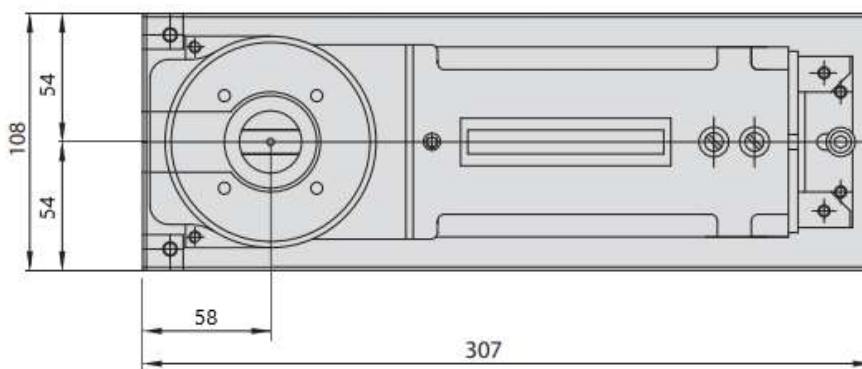
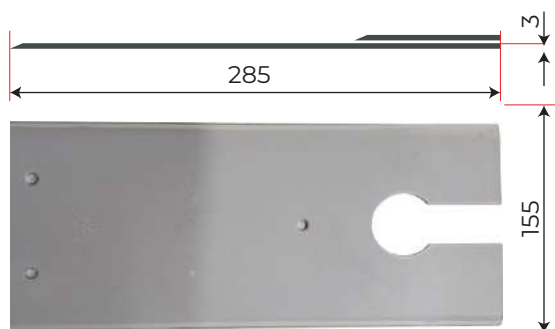
- BRS
- US14



TYPE	A (mm)	B (mm)	L (mm)
OG302-10K	32.5	32.5	65



SERIES 602



TYPE	HOLD OPEN	Maximum door width		Maximum door weight (kg)	
		Interior (mm)	Exterior (mm)		
60231-04	90°	1100	1000	100	
60241-05	90°	1300	1200	150	

Technical Features

- Black lacquered cast iron solid body
- Lacquered case
- Special, oil-bath steel spring
- Adjusting valve, complete with thermostatic device
- Door opening limit set at 130°

Adjustment

- Closing speed is adjusted from 130° to 15° by operating the special valve
- The latch is adjustable from 150 to 00 by operating the special valve.
- The door closer position inside its case is adjustable by adjusting the screw.

Durability

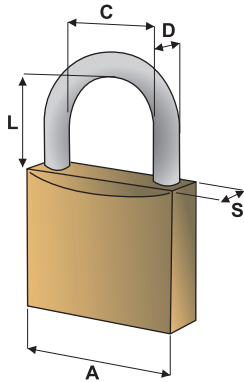
Over 500,000 opening cycles (250,000 for each side of a swing door) in compliance with UNI EN 1154 standard.

Notes

Cover Plate, Bottom Strap, and Straight Top Hinge are included in set/box.

BRASS PADLOCK

**TYPE
22010-50**



**TYPE
22010-60**



TYPE	A (mm)	C (mm)	D (mm)	L (mm)	S (mm)
22010 - 50	50	29.5	8	27.5	17.5
22010 - 60	60	35	10	37.5	20

BRASS PADLOCK

Technical Features

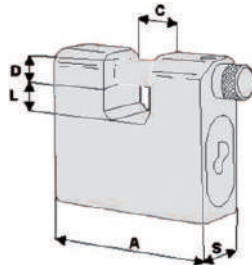
1. Solid brass body
2. Nickel-plated carbon-nitrogen hardened shackle
3. Brass plug
4. Pick-proof (patented) brass double-bolt locking system (sauf 15–20 mm. size)
5. Anti-picking brass plate (sauf 15–25mm. size)
6. Brass pins
7. Brass mushroom picking proof drivers
8. Phosphorus bronze springs
9. Nickel-plated brass alloy paracentric profile keys.



PADLOCK

**PADLOCK HARD
HARDENED STEEL PADLOCK**

**TYPE
28556-84**



DIMENSION (MM)

TYPE	A	C	D	L	S
28556-84	84	36	12	17.5	28

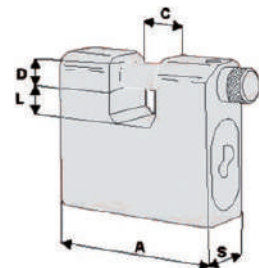
ASTRAL **PADLOCK HARD
HARDENED STEEL PADLOCK**

**TYPE
28553-66**



DIMENSION (MM)

TYPE	A	C	D	L	S
28553-66	66	20	10	11	25



Technical Features

- 10 (6 active + 4 pasive) pins key biting system
- Carbonitrided solid steel body, with chemical anti-corrosion nickel-plating treatment.
- Hardened steel shackle, with chemical nickel-plating treatment.
- Carbonitrided steel cylinder protection plate, with chemical nickel-plating treatment.
- The removable cylinder can be either rekeyed or replaced.

Key

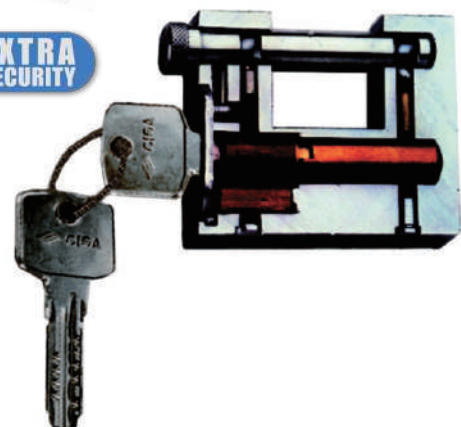
- Flat reversible keys
- In nickel-plated brass
- Numbered on key bow

Supplied as Standard

- 2 Keys
- Cade Card

Finish

Chemical anticorrosive treatment, inside parts included.

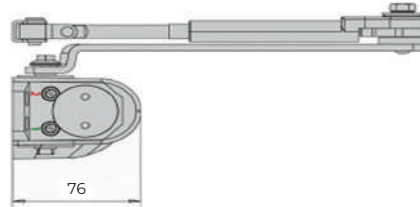




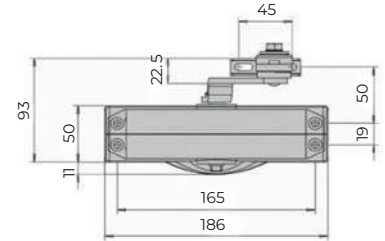
SMART DOOR CLOSER

TYPE
C1415 RA
C1416 HO

- Certified to EN 1154 for 1.000.000 cycles
- Fire Rated accordance with SCDF fire code (C1415 RA)



DIMENSION LAYOUT



Available Finishes

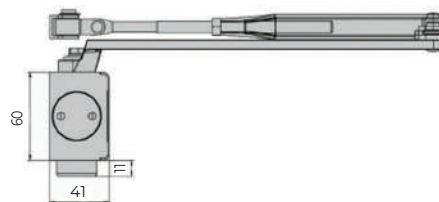
- White*
- Black*
- Silver
- Brown

* on request

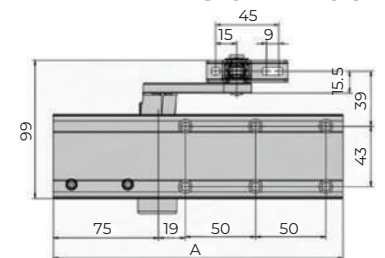
SPECIFICATIONS:

Closing Force	Smart 2 - 3 - 4 (By Position)
Application	Non Handed
Max. Door Width	1100 mm
Max. Door Weight	80 Kg
Closing Speed Angle	15° - 180° Adjustable by Valve
Closing Speed Angle	0° - 15° Adjustable by Valve
Arm Optional	RA (Regular Arm) HO (Hold Open Arm)

TYPE
C1510 RA
C1511 HO



DIMENSION LAYOUT



Available Finishes

- White*
- Black*
- Silver
- Brown

* on request

SPECIFICATIONS:

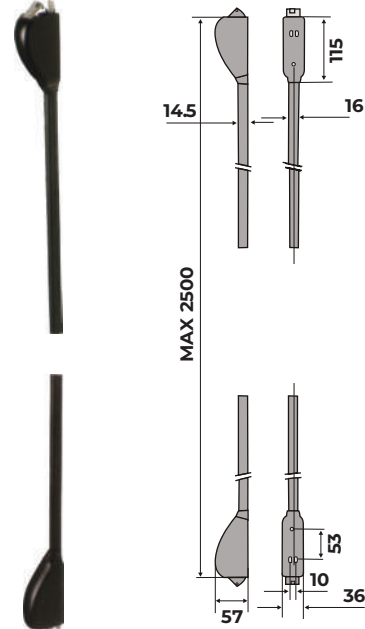
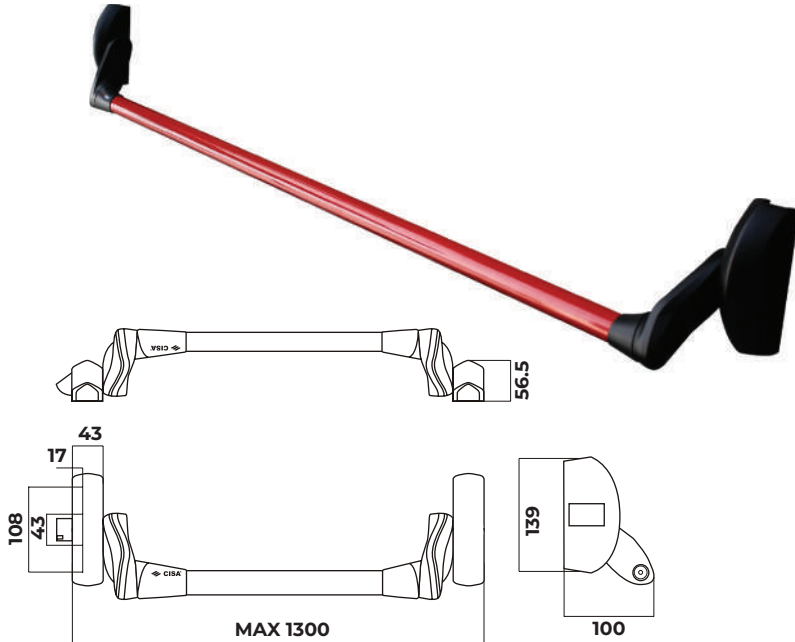
Closing Force	Smart 2 - 3 - 4 (By Position)
Application	Non Handed
Max. Door Width	1100 mm
Max. Door Weight	80 Kg
Closing Speed Angle	15° - 180° Adjustable by Valve
Closing Speed Angle	0° - 15° Adjustable by Valve
Arm Optional	RA (Regular Arm)



PANIC EXIT DEVICES

TYPE 59011-10

SET OF BOLT 07063



Technical Features

- Aluminium case cover, painted black
- Chrome-plated aluminum alloy self-locking latch
- Adjustable horizontal steel bar, painted red
- Master key available on request

Standard

- Certified with European standard UNI/EN 1125 on escape/door equipment
- Modular version
- Lateral latch bolt (can be deactivated)

Finishing

Black Paint

Hand

Non Handed

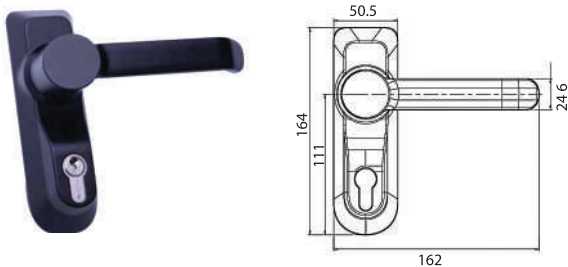
Outside Handle (Optional)

- 07077-48 or
- 07077-49



OUTSIDE HANDLE 07078-68

SUITABLE FOR: 59011-10 BLACK

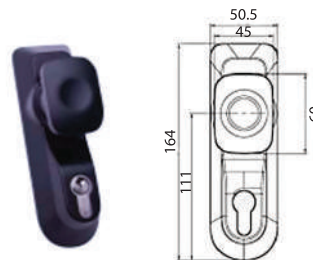


Technical Features

- Black painted aluminium alloy plate with lever handle and cylinder

OUTSIDE HANDLE 07078-69

SUITABLE FOR: 59011-10 BLACK



Technical Features

- Black painted aluminium alloy plate with lever handle and cylinder
- Master key available on request

KEND®



- Digital Lock
- Pull Handle
- Lever Handle
- Flush Handle & Escutcheon
- Lockcase
- Cylinder
- Hinges
- Panic Exit
- Sliding Set
- Door & Window Accessories
- Glass Fitting
- Bathroom Accessories



Technical Features :

- Durable Japanese "Mabuchi" motor with (over 500,000 cycles).
- Mortise : ANSI/EURO standard. Tested for 400,000 cycles.
- High-speed proximity reader recognizes card in less than 0.25 second.

- Battery : 4 pieces AA Alkaline battery.
- Access Solution: RFID Card/ Mechanical Key Emergency. Unlocking: Mechanical Key. RFID Card Technology with Bluetooth feature is optional.
- Easy switch from hotel to residential version.

**Completed with LED light indicator.*

HL-1936

Basic Style



HL-1939

Super Slim Style



Specialization :
Suitable For Aluminium door
Reversible handle,
Right or Left with Patent

HL-1986

Modern Round Style



Available Finishes

- Black
- Silver

SPLIT SERIES

Lever Handle Style





K 308 | Digital Door Lock with Fingerprint Access



Digital Door Lock with Fingerprint Access

- Kendsmarthome App
- Fingerprint : 40
- PIN : 130
- Card : 130
- Manual Key
 - Unlimited Password Sharing
 - Random PIN support
 - Anti Panic Function
 - Security Latch



KEND APP



FINGER PRINT



PIN CODE



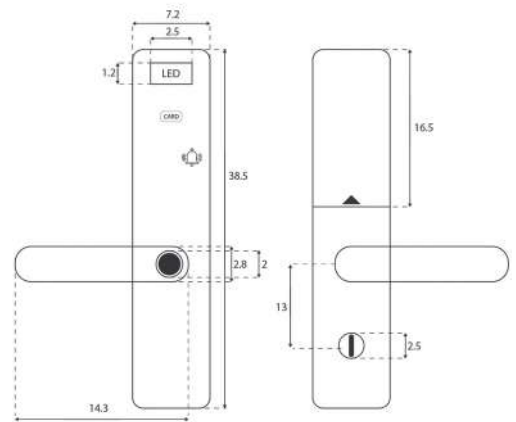
ACCESS CARD



EMERGENCY KEY



EXTERNAL POWER

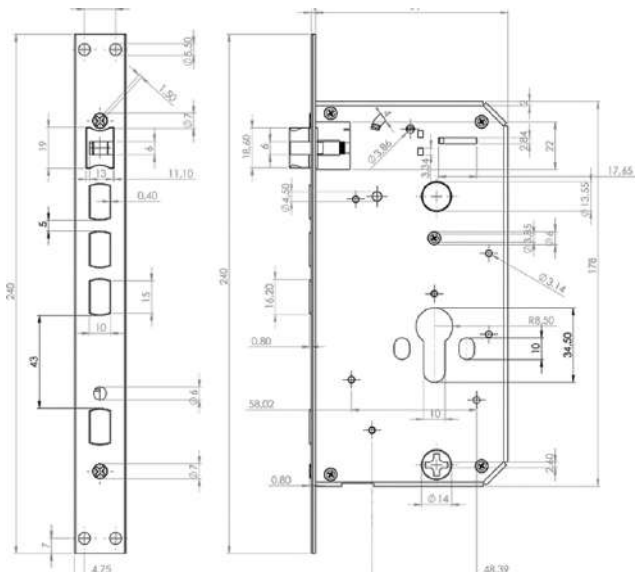


Mobile App Features

- Remote Unlock
- Alarm Message
- Member Management
- Log Record
- Temporary Password
- Hijacking Alarm

- Random PIN Support
- Material: Aluminum Alloy, Thickness: 2 mm
- MFI sensor frequency 13,56 MHz
- Operated by: 4 AA Alkaline Batteries
- Static Current: <15 u A
- Dynamic Current: <30 u A
- Low Voltage Warning: <4.8V, at least 250 times
- Suitable Door Thickness: 40–60mm
- Battery Life: 14 months
- 1 Lock Working Life: 10 years
- Lock Mortise: Center, Distance: 60*68mm

Postel No: 84063/SDPPI/2022





K 368 | Smart Door Lock with Fingerprint Access



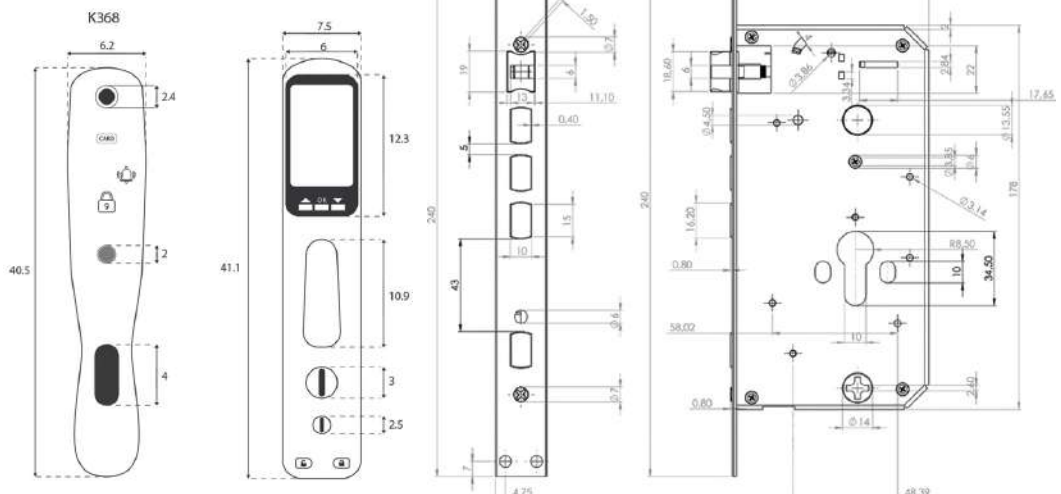
Smart Push/Pull Door Lock

- Kendsmarthome App
- Fingerprint : 50
- PIN : 125
- Card : 125
- Manual Key
 - Door Viewer
 - Unlimited Password Sharing
 - Random password
 - Anti Panic Function
 - Security Latch
 - Battery : rechargeable Li Ion charging 90% in only 2 hours



- Random PIN Support
- Material: Aluminum Alloy, Thickness: 2mm
- MFI Sensor Frequency : 13,56 MHZ
- Operated by: rechargeable Li Ion
- Static Current: <15 u A
- Dynamic Current: <30 u A
- Low Voltage Warning: <4.8V, min. 250 times
- Suitable Door Thickness: 40-60 mm
- Battery Life: 14 months
- 1 Lock Working Life: 10 years
- Lock Mortise: Center, Distance: 60*68mm
- Door Bell

Postel No: 83738/SDPPI/2022



- #### Mobile App Features
- Remote Unlock
 - Alarm Message
 - Member Management
 - Record Log
 - Temporary Password
 - Hijacking Alarm



K 338 | Digital Door Lock For Aluminum Door



Digital Door Lock for Aluminum Door

- Kendsmarthome App
 - Fingerprint
 - PIN
 - Card
 - Manual Key
- 180
- Unlimited Password Sharing
 - Random PIN suport
 - Anti Panic Function
 - Security Latch



KEND APP



FINGER PRINT



PIN CODE



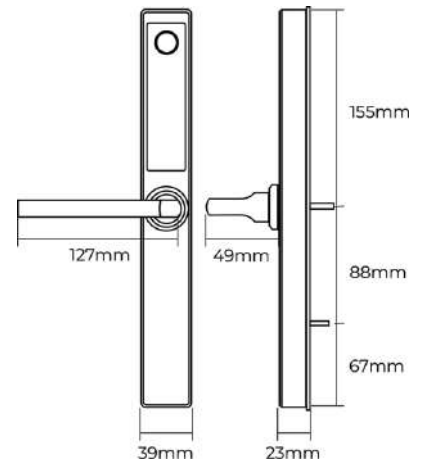
ACCESS CARD



MEREGENCY KEY



EXTERNAL POWER



Mobile App Features

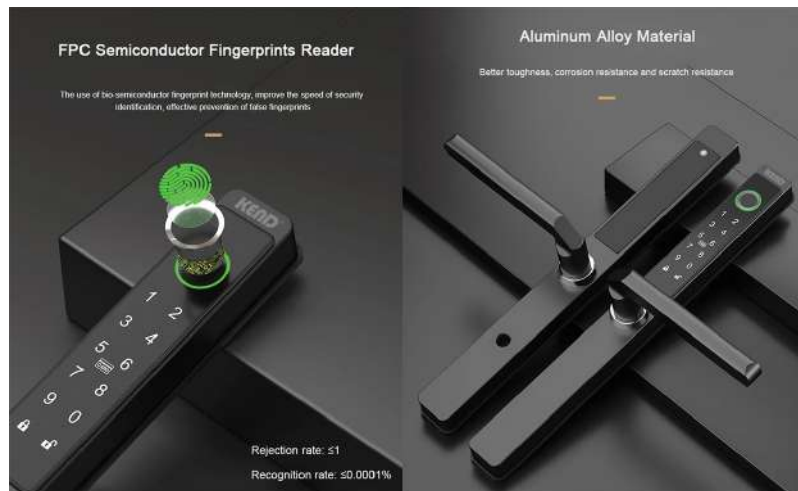
- Remote Unlock
- Alarm Message
- Member Management
- Log Record
- Temporary Password
- Hijacking Alarm

- Random PIN Support
- Material: Aluminum Alloy, Thickness: 2 mm
- MF1 sensor frequency 13,56 MHz
- Operated by: 4 AA Alkaline Batteries
- Static Current: <15 uA
- Dynamic Current: <30 uA
- Low Voltage Warning: <4.8 V, at least 250 times
- Suitable Door Thickness: 38-60mm
- Backset Distance: 35mm
- Recharging option via USB cable

Postel No: 90868/SDPPI/2023

Technical Features

- Built-in Alarm
- Semiconductor sensor (508dpi)
- Passage Mode
- Stainless Steel Handle
- Access Code using User ID
- Operation Voice Guidance
- Automatic Lock Function with desired time selection
- Operations that can use more than 1 access code
- Recharging option via USB cable



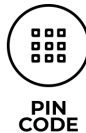


K 300 | Smart Door Lock with Fingerprint Access



Smart Push/Pull Door Lock

- Kendsmarthome App
 - Fingerprint
 - PIN
 - Card
 - Manual Key
- } 300
- Unlimited Password Sharing
 - Random PIN Support
 - Anti Panic Function
 - Security Latch



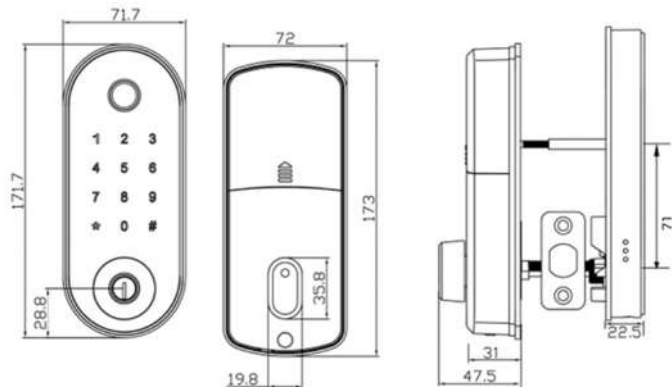
- Random PIN Support
- Build in Alarm
- Passage Mode
- Access Code using User ID
- Operation Voice Guidance
- Automatic Lock Function with desired time selection
- Operations that can use more than 1 access code
- Backset Distance: 60mm
- Recharging option via USB cable

Postel No: 90869/SDPPI/2023



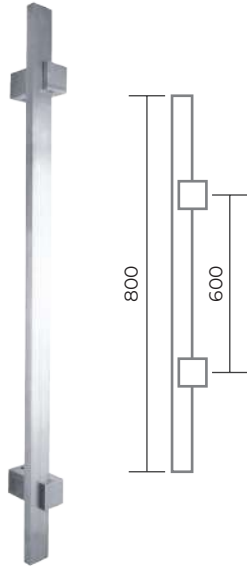
Mobile App Features

- Remote Unlock
- Alarm Message
- Member Management
- Log Record
- Temporary Password
- Hijacking Alarm



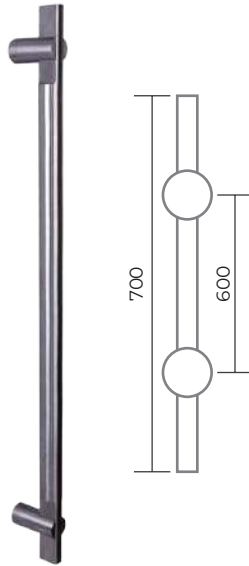
P75.74

Material : Stainless Steel
 Finish : US32D



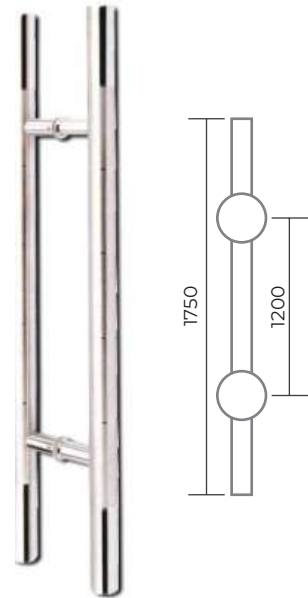
P 75.69

Material : Stainless Steel
 Finish : US32D



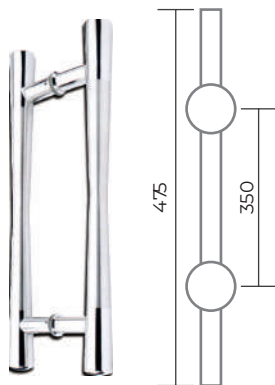
GHD 0031

Material : Stainless Steel
 Finish : US32D + US32



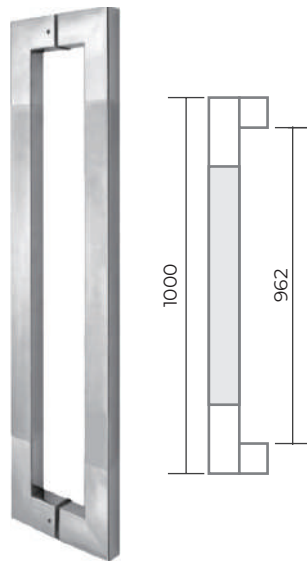
GHD 0033-D38X47.5 CM

Material : Stainless Steel
 Finish : US32D + US32



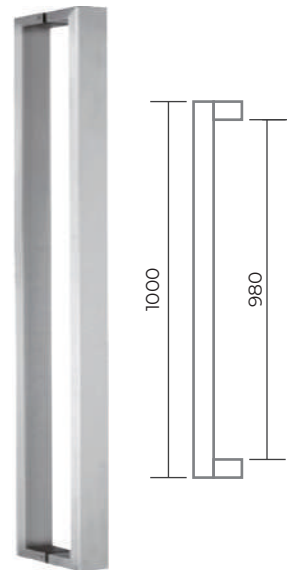
GHD 0036-D38X100 CM

Material : Stainless Steel
 Finish : US32D + US32



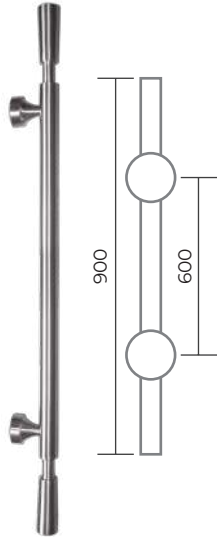
GHD 0037-D40X100 CM

Material : Stainless Steel
 Finish : US32D



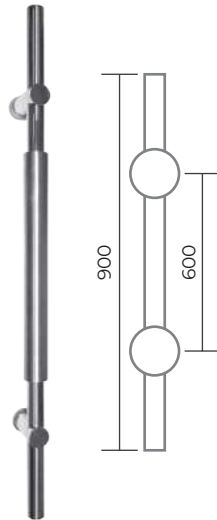
GHD 4501
D32 x 600 x 900 mm

Material : Stainless Steel
 Finish : US32D + US32



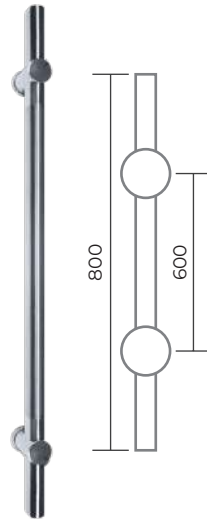
GHD 4502
D32 x 600 x 900 mm

Material : Stainless Steel
 Finish : US32D + US32



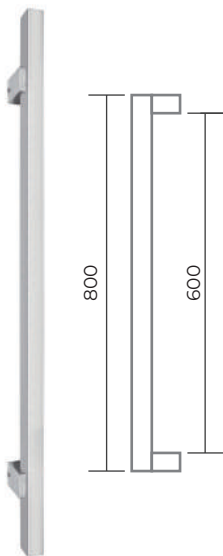
GHD 4503
D25 x 600 x 800 mm

Material : Stainless Steel
 Finish : US32D



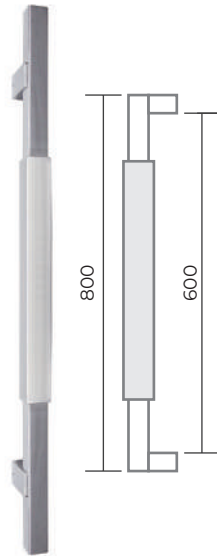
GHD 4504
D38 x 600 x 800 mm

Material : Stainless Steel
 Finish : US32D + US32



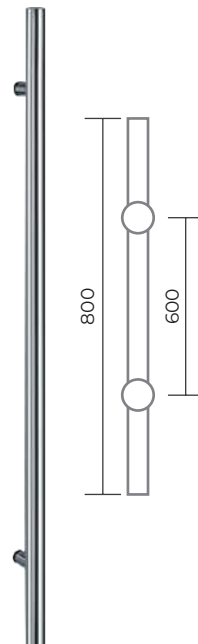
GHD 4505
D30 x 600 x 800 mm

Material : Stainless Steel
 Finish : US32D + US32



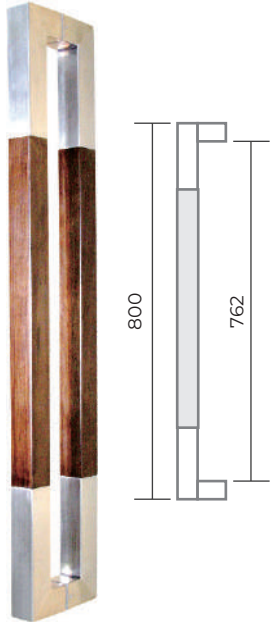
GHD 0053
D30 x 600 x 800 mm

Material : Stainless Steel
 Finish : US32D



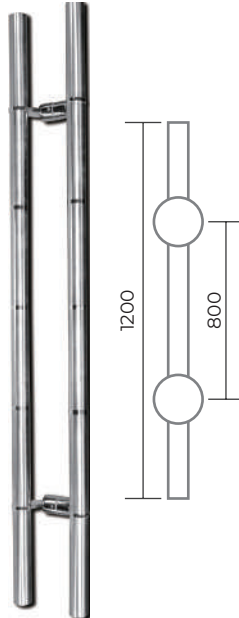
GHD 9602
38 x 800 mm

Material : Stainless Steel
Finish : US32D + WOOD



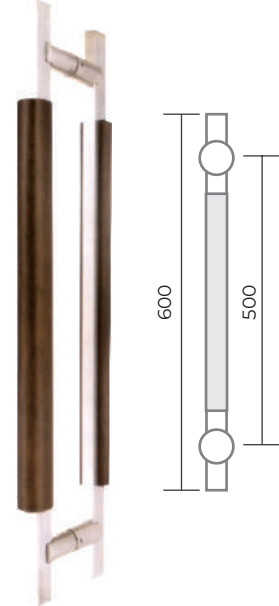
GHD 9603
38 x 1200 mm

Material : Stainless Steel
Finish : US32D



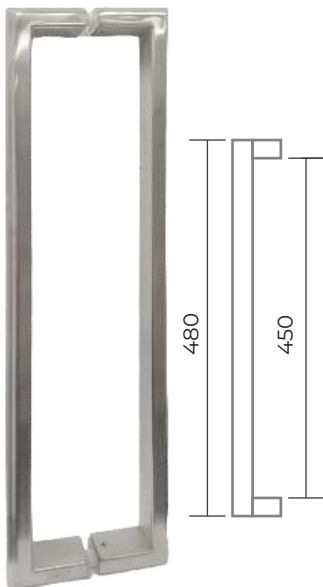
GHD 9605
32 x 600 mm

Material : Aluminium
Finish : US15 + WOOD



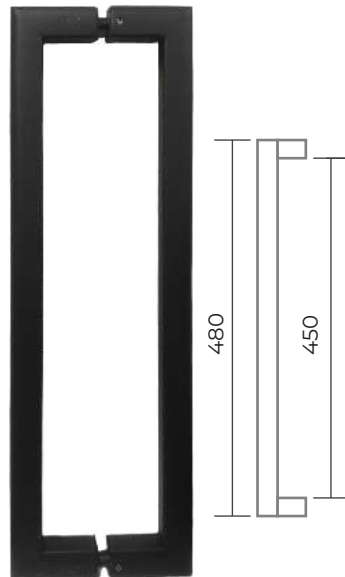
GHD 0061
450 mm

Material : Stainless Steel
Finish : US32D



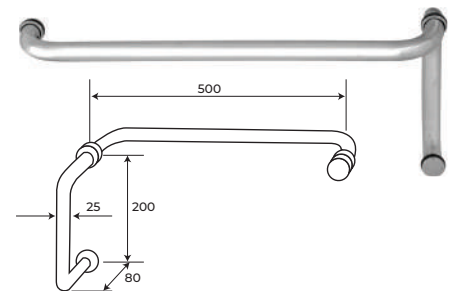
GHD 0062
450 mm

Material : Stainless Steel
Finish : Matt Black



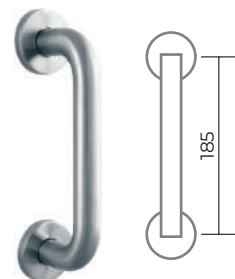
GHD 0007i

Material : Stainless Steel
Finish : US32D



PR 73.01

Material : Stainless Steel
Finish : US32D



GHD 0002

Material : Stainless Steel
Finish : US32D



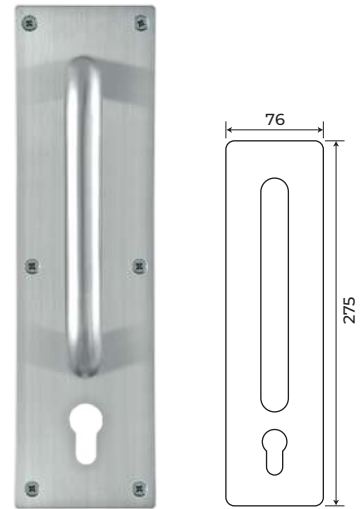
GHD 0003 D32 x 350
GHD 003-I D32 x 300

Material : Stainless Steel
Finish : US32D



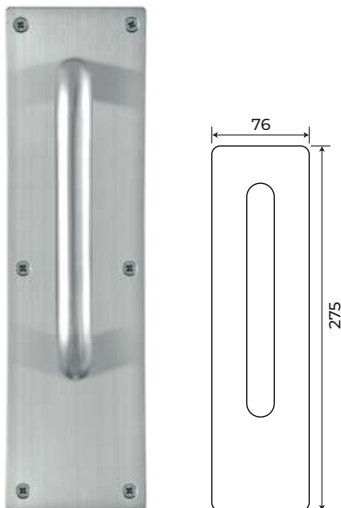
PP 73.06

Material : Stainless Steel
Finish : US32D



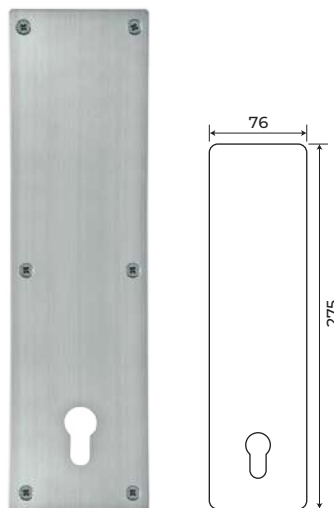
PP 73.06 TL

Material : Stainless Steel
Finish : US32D



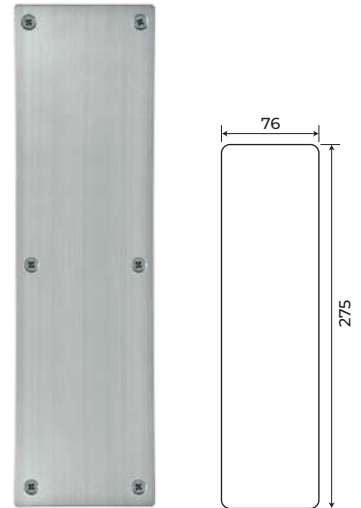
PUSH 73.07

Material : Stainless Steel
Finish : US32D



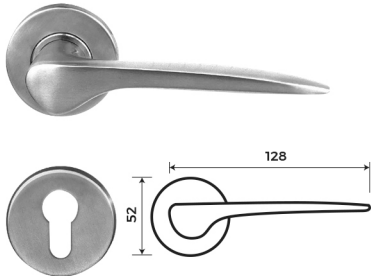
PUSH 73.07 TL

Material : Stainless Steel
Finish : US32D



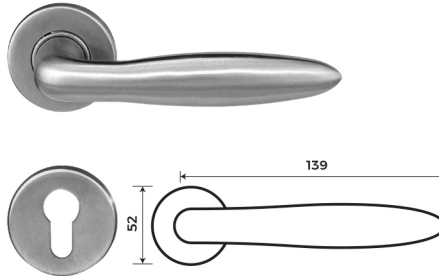
HRE 75.107

Material : Stainless Steel
Finish : US32D



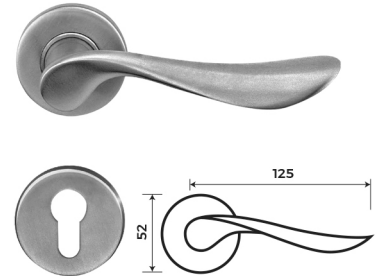
HRE 75.108

Material : Stainless Steel
Finish : US32D



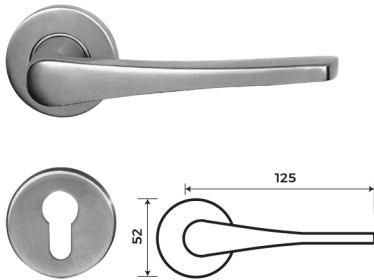
HRE 75.109

Material : Stainless Steel
Finish : US32 + US32D



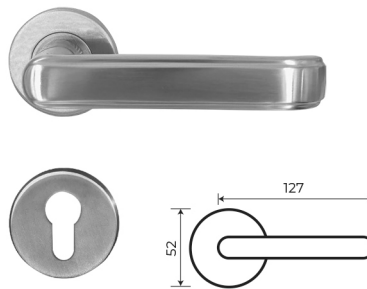
HRE 75.110

Material : Stainless Steel
Finish : US32D



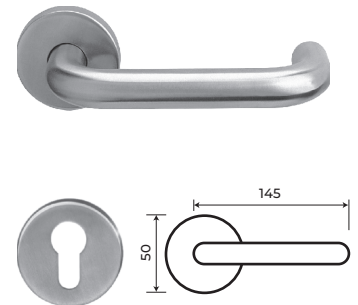
HRE 75.111

Material : Stainless Steel
Finish : US32D



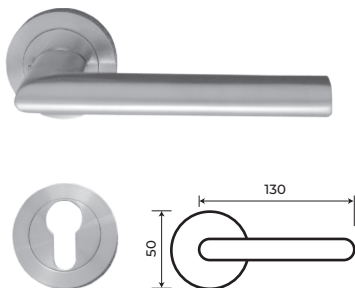
HRE 75.01

Material : Stainless Steel
Finish : US32D



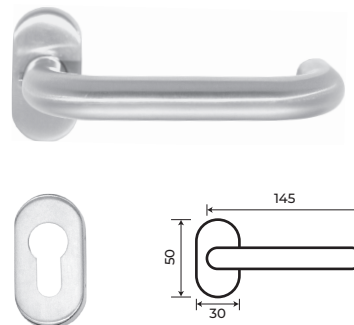
HRE 75.58

Material : Stainless Steel
Finish : US32D



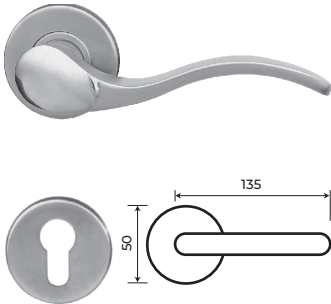
HREO 75.01

Material : Stainless Steel
Finish : US32D



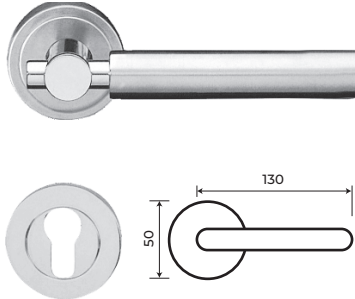
HRE 75.02

Material : Stainless Steel
Finish : US32D



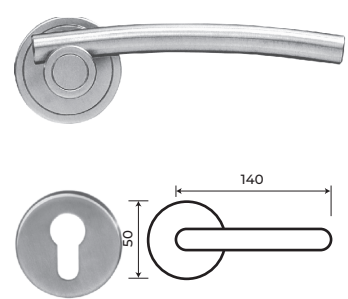
HRE 75.15

Material : Stainless Steel
Finish : US32D



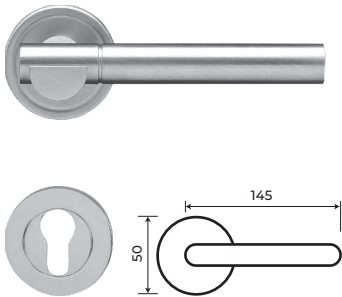
HRE 75.29

Material : Stainless Steel
Finish : US32D



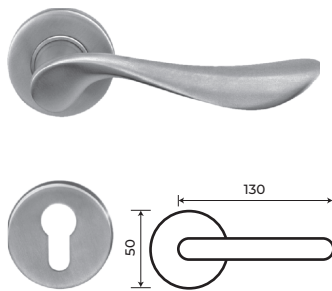
HRE 75.30

Material : Stainless Steel
Finish : US32D



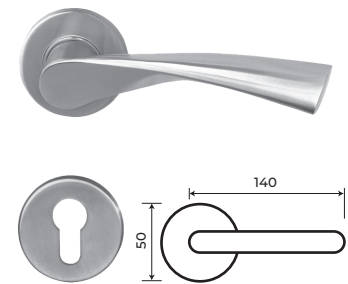
HRE 75.33

Material : Stainless Steel
Finish : US32D



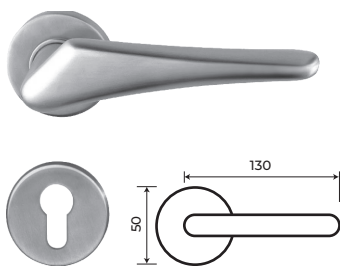
HRE 75.36

Material : Stainless Steel
Finish : US32D



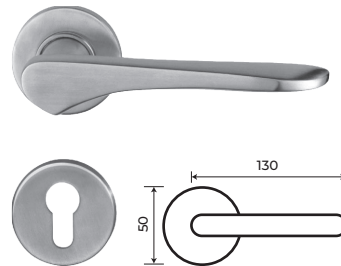
HRE 75.44

Material : Stainless Steel
Finish : US32D



HRE 75.45

Material : Stainless Steel
Finish : US32D



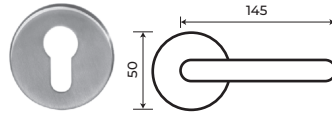
HRE 75.69

Material : Stainless Steel
Finish : US32D



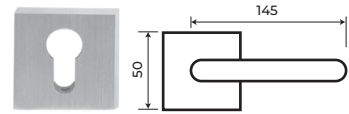
HRE 75.85

Material : Stainless Steel
Finish : US32D



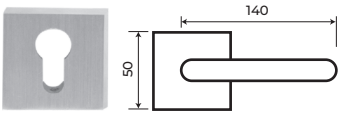
HRE 75.87

Material : Stainless Steel
Finish : US32D



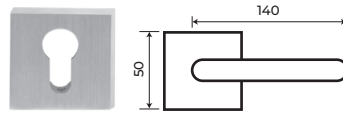
HRE 75.90

Material : Stainless Steel
Finish : US32D



HRE 75.92

Material : Stainless Steel
Finish : US32D



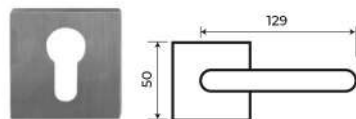
HRE 75.94

Material : Stainless Steel
Finish : US32D



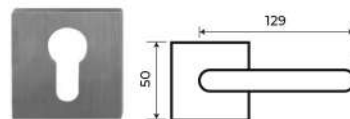
HRE 75.97

Material : Stainless Steel
Finish : US32D



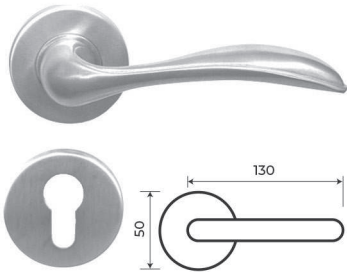
HRE 75.98

Material : Stainless Steel
Finish : US32D



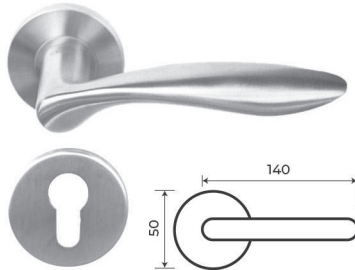
HRE 85.503

Material : Stainless Steel
Finish : US32D



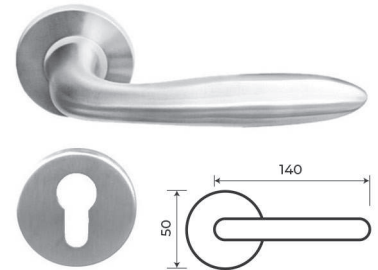
HRE 85.508

Material : Stainless Steel
Finish : US32D



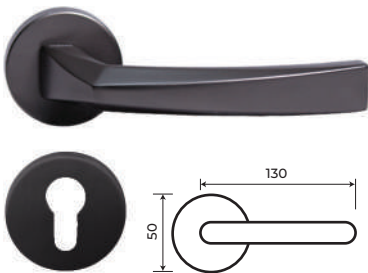
HRE 85.509

Material : Stainless Steel
Finish : US32D
Blasted Black



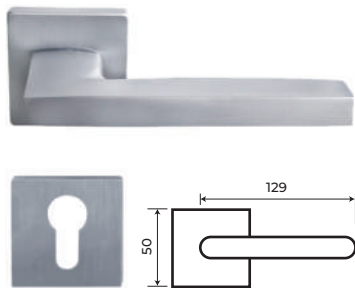
HRE 85.510

Material : Zinc Alloy
Finish : PB (Pearl Black)



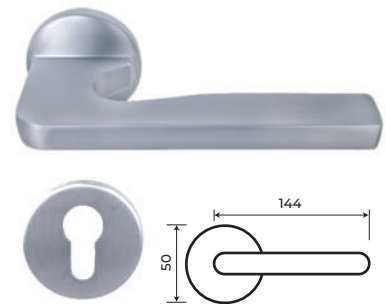
HRE 85.511

Material : Zinc Alloy
Finish : US26D



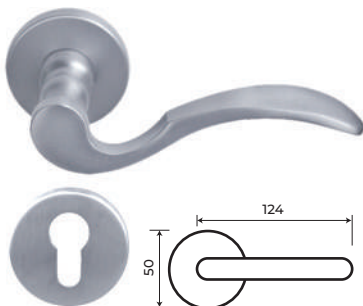
HRE 85.512

Material : Zinc Alloy
Finish : US26D



HRE 85.513

Material : Zinc Alloy
Finish : US26D



HRE 85.515

Material : Zinc Alloy
Finish : US26 + Wood



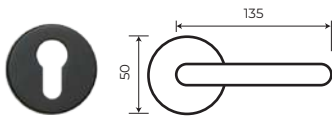
HRE 85.516

Material : Zinc Alloy
Finish : US26 + Wood (Dark)



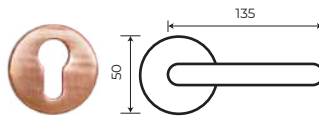
HRE 85.517

Material : Zinc Alloy
Finish : BL (Black)



HRE 85.517

Material : Zinc Alloy
Finish : Rose Gold



HRE 85.518

Material : Zinc Alloy
Finish : BL (Black)



HRE 85.519

Material : Zinc Alloy
Finish : DU



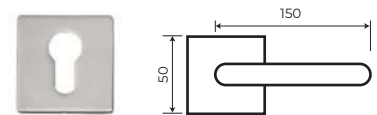
HRE 85.521

Material : Zinc Alloy
Finish : DU



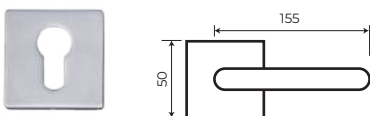
HRE 85.522

Material : Zinc Alloy
Finish : Matte Satin Doff



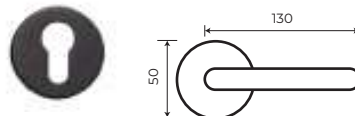
HRE 85.523

Material : Zinc Alloy
Finish : Matte Satin Doff



HRE 85.524

Material : Brass
Finish : SB (Satin Black)



HRE 85.525

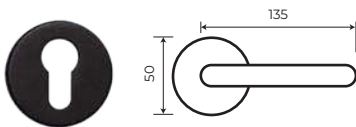
Material : Brass
Finish : Rose Gold



LEVER HANDLE

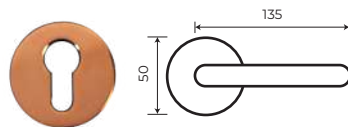
HRE 85.525

Material : Brass
Finish : SB (Satin Black)



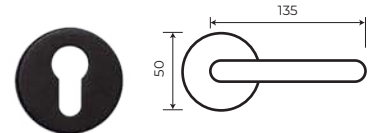
HRE 85.526

Material : Brass
Finish : Rose Gold



HRE 85.526

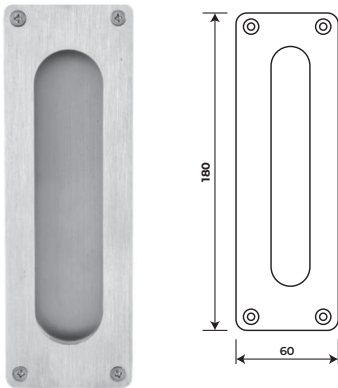
Material : Brass
Finish : SB (Satin Black)



FLUSH HANDLE

FPP 75.01

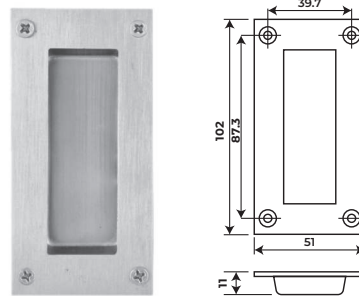
Material : Stainless Steel
Finish : US32D



FLUSH HANDLE

FPP 75.03

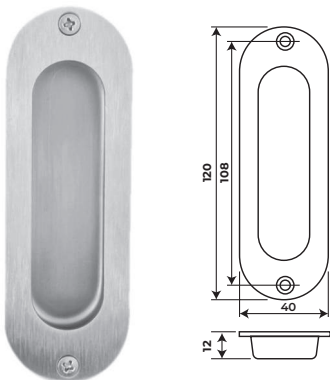
Material : Stainless Steel
Finish : US32D



FLUSH HANDLE

FPP 75.07

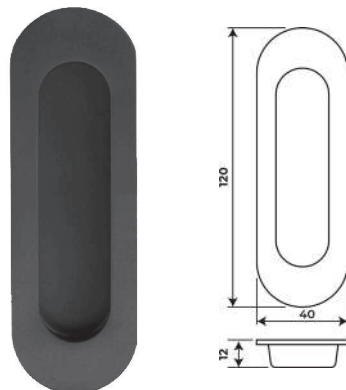
Material : Stainless Steel
Finish : US32D



FLUSH HANDLE

FPP 75.07 CS

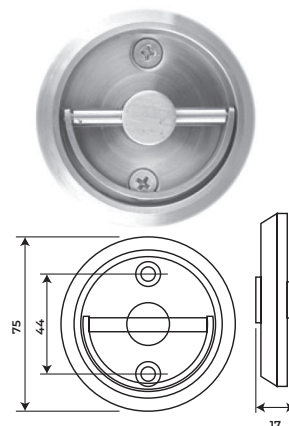
Material : Stainless Steel
Finish : Black



PULL HANDLE

FRP 75.01

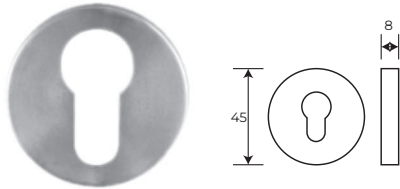
Material : Stainless Steel
Finish : US32D



ESCUTCHEON

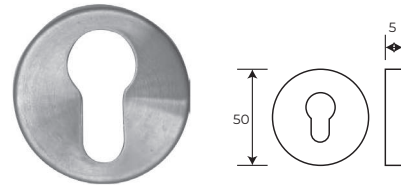
E 73.01

Material : Stainless Steel
Finish : US32D



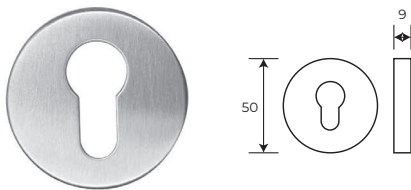
E 75.01

Material : Stainless Steel
Finish : US32D



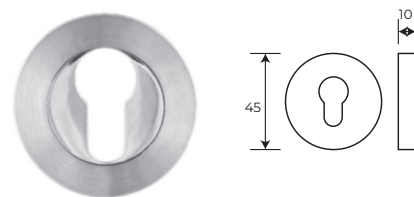
E 73.05

Material : Stainless Steel
Finish : US32D



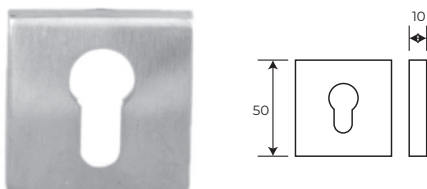
E 75.10

Material : Stainless Steel
Finish : US32D + US32



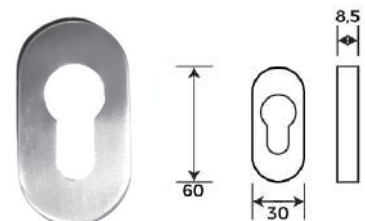
E 75.75

Material : Stainless Steel
Finish : US32D



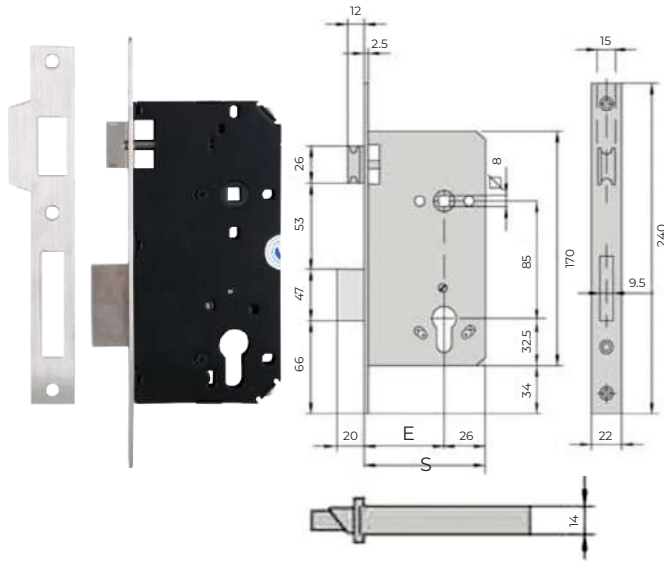
EO 73.01

Material : Stainless Steel
Finish : US32D





LOCKCASE FOR WOODEN DOOR



K 87735-40/60

Material : Stainless Steel
Finish : US32D

Technical Features

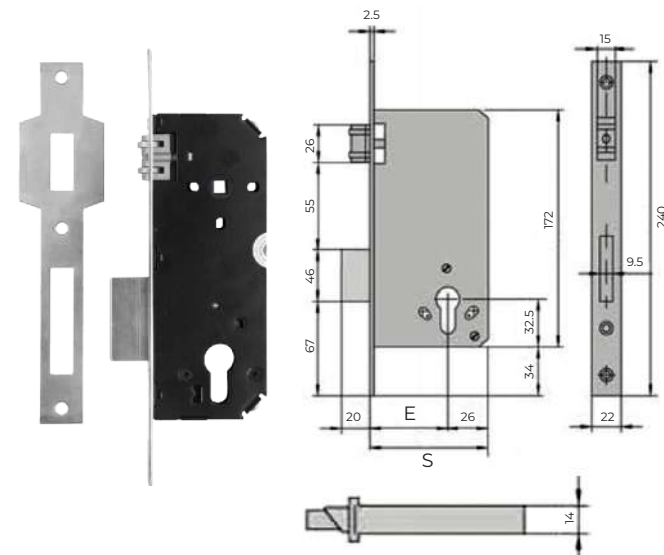
- Case : Black-Painted Steel
- Faceplate : Stainless Steel
- Striking Plate : Stainless Steel
- Latch Bolt : Nickel-Plated Brass, Reversible
- Deadbolt : Nickel-Plated Brass with Reinforced Steel Plate Inside

Available Finishes



TYPE	E (Backset)	S
K87735-40	40	66
K87735-60	60	86

LOCKCASE FOR WOODEN DOOR



K 87738-40/60

Material : Stainless Steel
Finish : US32D

Technical Features

- Case : Black-Painted Steel
- Faceplate : Stainless Steel
- Striking Plate : Stainless Steel
- Latch Bolt : Nickel-Plated Brass, Adjustable
- Deadbolt : Nickel-Plated Brass with Reinforced Steel Plate Inside

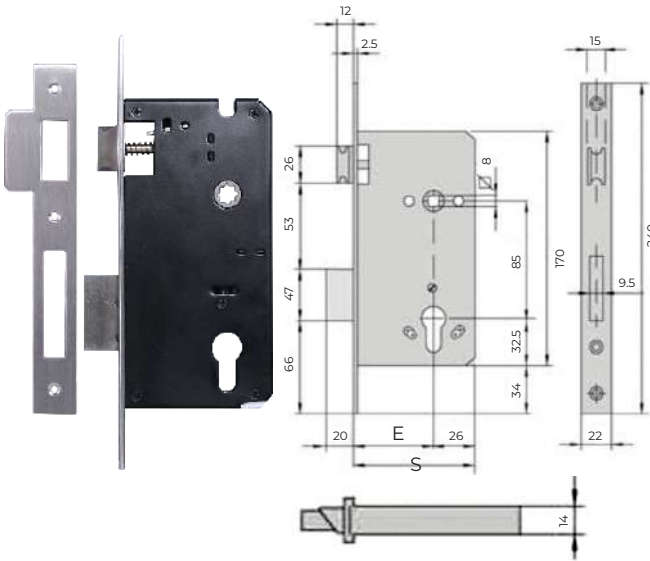
Available Finishes



TYPE	E (Backset)	S
K87738-40	40	66
K87738-60	60	86



LOCKCASE FOR WOODEN DOOR



**SWING LOCKCASE
K 87736-40/60**

Material : Stainless Steel
Finish : US32D

Technical Features

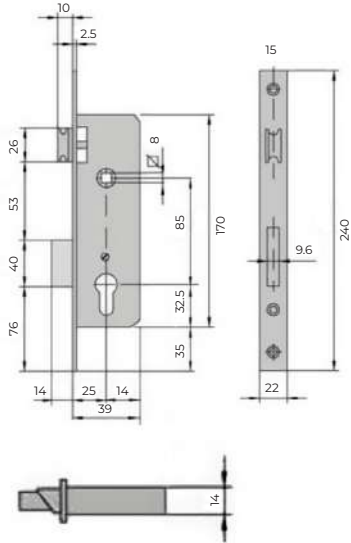
- Case : Black-Painted Steel
- Faceplate : Stainless Steel
- Striking Plate : Stainless Steel
- Latch Bolt : Stainless Steel, Reversible
- Deadbolt : Stainless Steel

Available Finishes

-  US32D
-  BL

TYPE	E (Backset)	S
K87736-40	40	66
K87736-60	60	86

LOCKCASE FOR ALUMINUM DOOR



K 87735-25

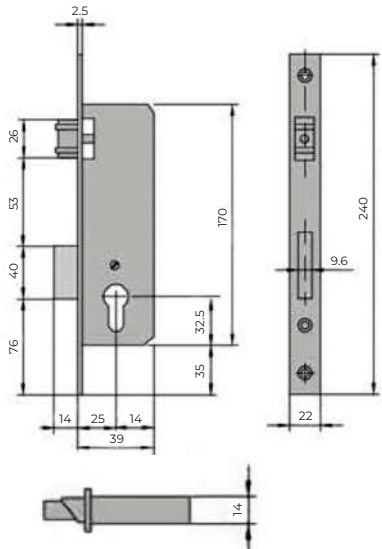
Material : Stainless Steel
Finish : US32D

Technical Features

- Case : Black-Painted Steel
- Faceplate : Stainless Steel
- Striking Plate : Stainless Steel
- Latch Bolt : Nickel-Plated Brass, Reversible
- Deadbolt : Nickel-Plated Brass with Reinforced Steel Plate Inside

Available Finishes

-  US32D
-  BL



K 87738-25

Material : Stainless Steel
Finish : US32D

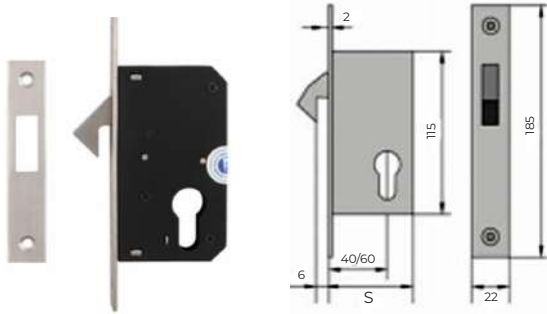
Technical Features

- Case : Black-Painted Steel
- Faceplate : Stainless Steel
- Striking Plate : Stainless Steel
- Latch Bolt : Nickel-Plated Brass, Adjustable
- Deadbolt : Nickel-Plated Brass with Reinforced Steel Plate Inside

Available Finishes

-  US32D
-  BL

SLIDING LOCKCASE



K 87720-40/60

Material : Stainless Steel
Finish : US32D

Technical Features

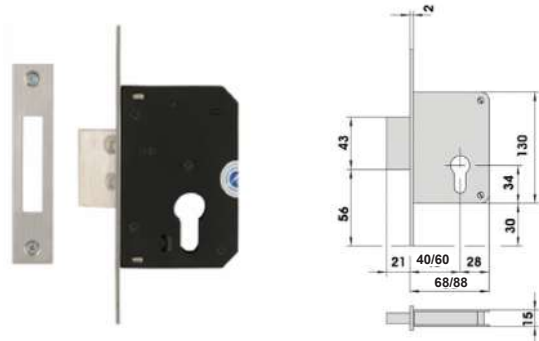
Case : Black-Painted Steel
Faceplate : Stainless Steel
Striking Plate : Stainless Steel
Latch Bolt : Nickel-Plated Brass, Adjustable

Available Finishes

-  US32D
-  BL



DEADLOCK



K 87700-40/60

Material : Stainless Steel
Finish : US32D

Technical Features

Case : Black-Painted Steel
Faceplate : Stainless Steel
Striking Plate : Stainless Steel
Deadbolt : Nickel-Plated Brass with Reinforced Steel Plate Inside

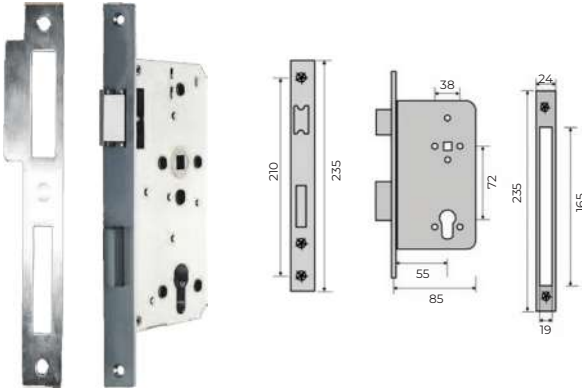
Available Finishes

-  US32D
-  BL



HD NONPANIC SWG

75710-55



Function: Institutional Lock with Bevel Latch

- Latch bolt is operated by lever handle or cylinder from either side
- Deadbolt is operated by cylinder from either side

Technical Features

Case	: Chrome-Plated Steel
Faceplate	: Stainless Steel SUS 304
Striking Plate	: Stainless Steel SUS 304
Latch Bolt	: Solid Stainless Steel SUS 304, Reversible
Deadbolt	: Solid Stainless Steel SUS 304, Single Throw

Standard : DIN 18250

Backset/Axis : 55mm/72mm



HD NONPANIC PLR

75720-55



Function: Institutional Lock with Roller Latch

- Roller Latch is operated by lever handle or cylinder from either side
- Dead Bolt is operated by cylinder from either side

Technical Features

Case	: Chrome-Plated Steel
Faceplate	: Stainless Steel SUS 304
Striking Plate	: Stainless Steel SUS 304
Latch Bolt	: Solid Stainless Steel SUS 304, Reversible
Deadbolt	: Solid Stainless Steel SUS 304, Single Throw

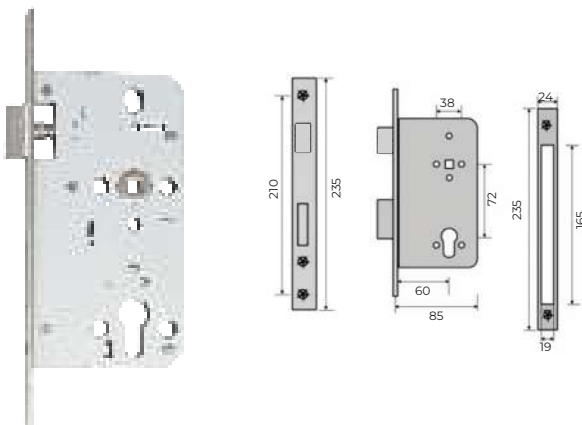
Standard : DIN 18250

Backset/Axis : 55mm/72mm



HD PANIC

75810-60



Technical Features

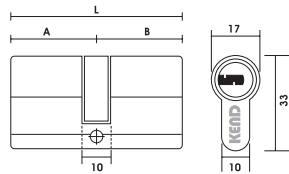
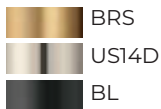
Case	: Chrome-Plated Steel
Faceplate	: Stainless Steel SUS 304
Striking Plate	: Stainless Steel SUS 304
Latch Bolt	: Solid Stainless Steel SUS 304, Reversible
Deadbolt	: Solid Stainless Steel SUS 304, Single Throw

Standard : DIN 18250

Backset/Axis : 60mm/72mm

EURO PLUS DOUBLE CYLINDER

Available Finishes

**KE610****Specification**

Material: Brass

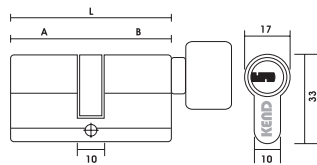
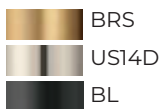
Operation

360° key rotation for one side. Key can only be inserted from one side at a time.

TYPE	A (mm)	B (mm)	L (mm)
KE610-65	32.5	32.5	65
KE610-70	35	35	70

EURO PLUS KNOB CYLINDER

Available Finishes

**KE612****Specification**

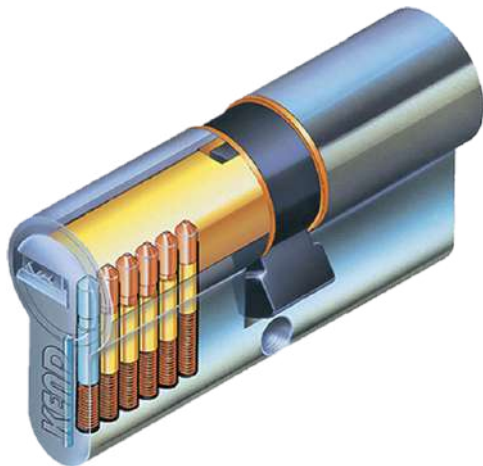
Material: Brass

Operation

Inside : Operated by knob

Outside : 360° key rotation for one side. Key can only be inserted from one side at a time.

TYPE	A (mm)	B (mm)	L (mm)
KE612-65K	32.5	32.5	65
KE612-70K	35	35	70






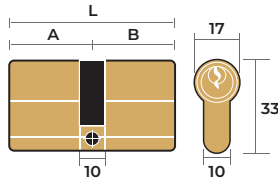
- ✓ Made with Precision
- ✓ Smooth Operation
- ✓ Anti-Corrosion
- ✓ Design for Less Abrasion
- ✓ Keying System Flexibility

DOUBLE CYLINDER STD



Available Finishes

-  BRS
-  US14D
-  BL



08610

Specification

Material: Brass

Operation

360° key rotation for one side. Key can only be inserted from one side at a time.






TYPE	A (mm)	B (mm)	L (mm)
08610-65	32.5	32.5	65
08610-70	35	35	70
08610-80	40	40	80

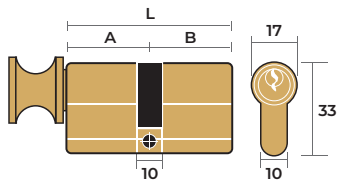


KNOB CYLINDER STD



Available Finishes

-  BRS
-  US14D
-  BL



K 2541

Specification

Material: Brass

Operation

Inside : Operated by knob
Outside : 360° key rotation for one side.






TYPE	A (mm)	B (mm)	L (mm)
K2541-65K	32.5	32.5	65
K2541-70K	35	35	70

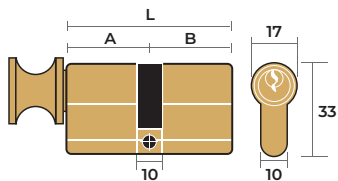


WC CYLINDER STD



Available Finishes

-  BRS
-  US14
-  BL



K 3116

Specification

Material: Brass

Operation

Inside : Operated by turnpiece
Outside : Operated by a coin or other flat objects for emergency purposes



TYPE	A (mm)	B (mm)	L (mm)
K3116-61	30	30	60
K3116-70	34.5	34.5	69

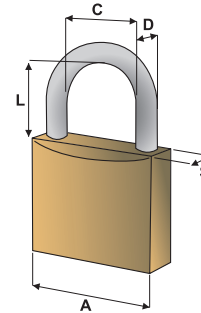
PADLOCK BRASS

K 25120-50/60



Technical Features

- Belt-sanded solid brass body
- Nickel-plated, carbonitrided steel shackle
- Shackle with double locking system
- Made with precision
- Smooth operation
- Push-resistant
- Pick-resistant
- Keying system available on request



TYPE	A (mm)	C (mm)	D (mm)	L (mm)	S (mm)
25120 - 50	50	29,5	8	27,5	17
25120 - 60	60	35	10	35	19

PADLOCK BRASS

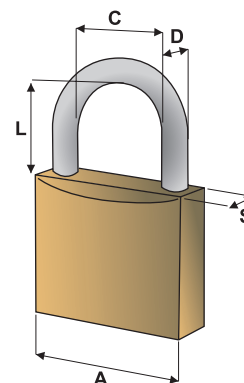
K 25123-50/60

EURO-PLUS
 CILINDRO DI ALTA SICUREZZA
 HIGH SECURITY CYLINDER



Technical Features

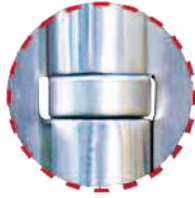
- Belt-sanded solid brass body
- Nickel-plated, carbonitrided steel shackle
- Shackle with double locking system
- Made with precision
- Smooth operation
- Reversible key
- Push-resistant
- Pick-resistant
- Keying system available on request



TYPE	A (mm)	C (mm)	D (mm)	L (mm)	S (mm)
25123 - 50	50	29,5	8	27,5	17
25123 - 60	60	35	10	35	19

HINGES

FUNCTION OF BALL BEARING & NRP



BALL BEARING

Door vertical load is supported by a streamlined, vertical thrust ball bearing assembly, resulting in increased vertical load capacity. Ball bearing also allows longer hinge life.



NRP (NON REMOVABLE PIN)

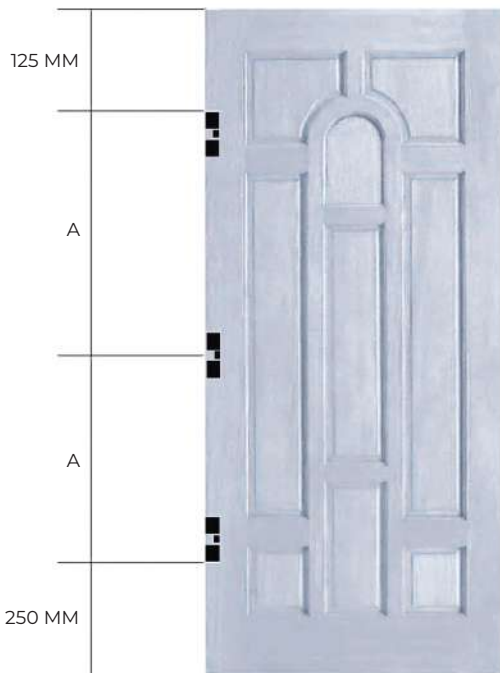
Non removable pin screws barrel in place. NRP is not accessible when the door is closed, preventing hinge removal for closed doors.



FIRE RATED

This hinge has passed Fire Resistance Test and can be used for Fire Door/Emergency Exit.

HINGE INSTALLATION



NUMBER OF HINGES

DOOR OF HEIGHT	NUMBER OF HINGE
<152 CM	2 PCS
153 - 229 CM	3 PCS
230 - 305 CM	4 PCS

(OPEN-CLOSED TESTING) HINGE DURABILITY

BEARING	OPEN CLOSED (X)
Plain Bearing	109.500
2 Ball Bearing	365.000
4 Ball Bearing	1.825.000

HINGE STAINLESS STEEL

SEL0018

Material : Stainless Steel 304
Finish : US32D



SEL0007

Material : Stainless Steel 304
Finish : US32D



SEL0010

Material : Stainless Steel 304
Finish : US32D



SEL0019

Material : Stainless Steel 304
Finish : US32D



SEL0011

Material : Stainless Steel 304
Finish : US32D



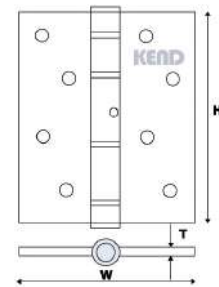
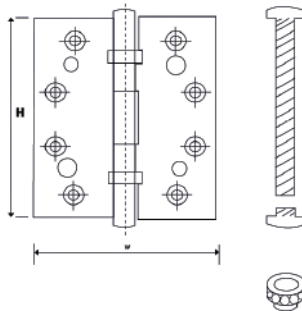
SEL0010 - 316

Material : Stainless Steel 316
Finish : US32D



SEL0017 (FOR STEEL DOOR)

Material : Stainless Steel 304
Finish : US32D



**Also available in Black Finish*

TYPE	OPEN SIZE			FINISH	BB	NRP	CAPACITY (kg)
	H (Inch)	W (Inch)	T (Inch)				
SEL 0007	4	3	2.5	US32D	-	-	40
SEL 0010	4	3	3	US32D	2BB	√	70
SEL 0011	5	4	4	US32D	4BB	√	100
SEL 0017	4.5	4	3	US32D	2BB		90
SEL 0018	3	2.5	2	US32D	2BB	√	30
SEL 0019	5	3	4	US32D	4BB	√	85

PIVOT HINGE

CPH 20-500

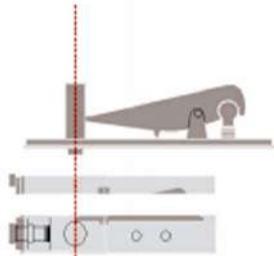
Material : Stainless Steel
 Finish : US32D



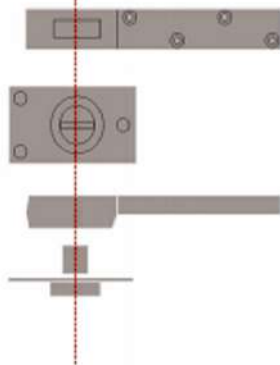
TOP PIVOT



BOTTOM PIVOT

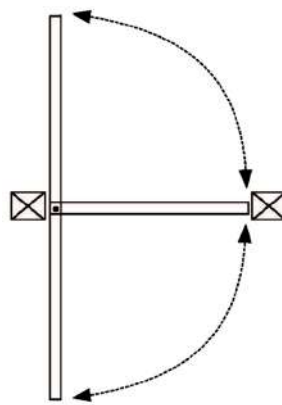
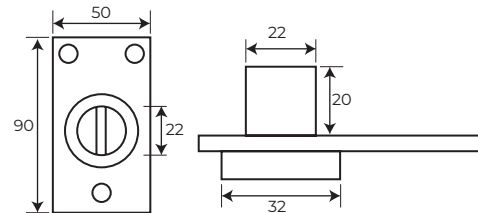
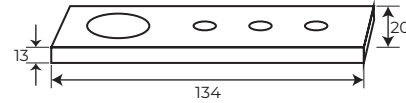
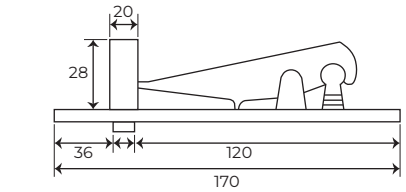


48-57 mm



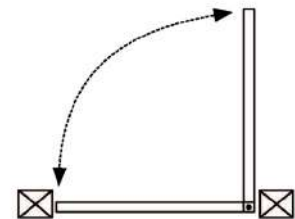
Technical Features

- For use on high-frequency and/or heavy wooden or metal doors (double action)
- With ball bearing on bottom pivot, the top pivot can be adjusted vertically and horizontally.
- Maximum Capacity: 170kg
- Fire rated
- Material : Stainless Steel
- Finish : US32D (Satin Stainless Steel)



Double Action

Handing



Single Action

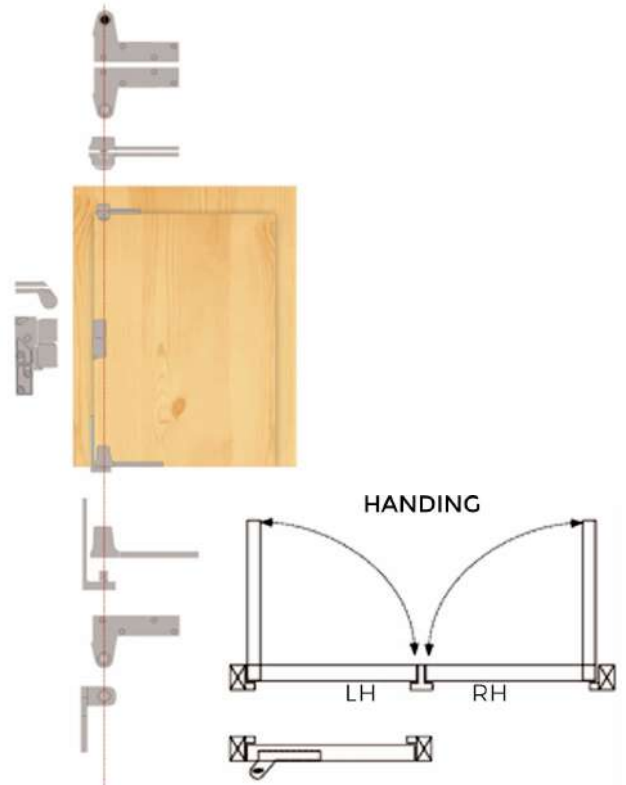
OFFSET PIVOT HINGE

Technical Features

- For use on high-frequency and/or heavy wood or metal doors (single action) with radial roller and thrust ball bearing in bottom pivot
- Intermediate pivot to keep the door aligned
- Equipped with a radial roller and thrust bearing
- Maximum Capacity: 230kg
- Fire rated
- Material : Stainless Steel
- Finish : US32D

**Please specify preferred handing when ordering (LH/RH)*

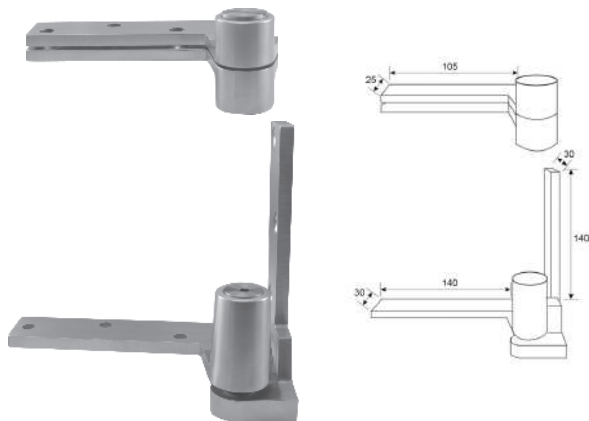
TYPE	CAPACITY
OPH 75-R1	180 Kg
OPH 75-R1 + OPH 75-R2	230 Kg



OFFSET PIVOT HINGE

OPH 75-R1 RH/LH

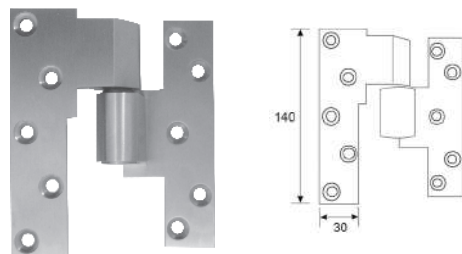
Material : Stainless Steel
Finish : US32D



INTERMEDIATE PIVOT HINGE

OPH 75-R2 RH/LH

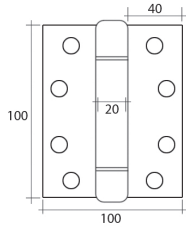
Material : Stainless Steel
Finish : US32D



SPRING HINGE

2062

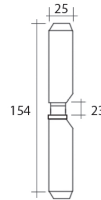
Material : Stainless Steel
 Finish : US32D
 Capacity : 40 Kg
 Dimension : 4 x 3 x 3mm



STEEL DOOR HINGE

497

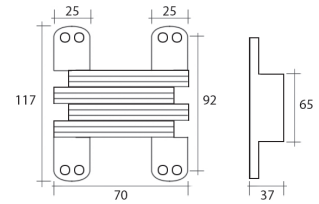
Material : Steel & Brass Pin
 Finish : US P (Prime Coat)
 Capacity : 200kg



INVISIBLE HINGE

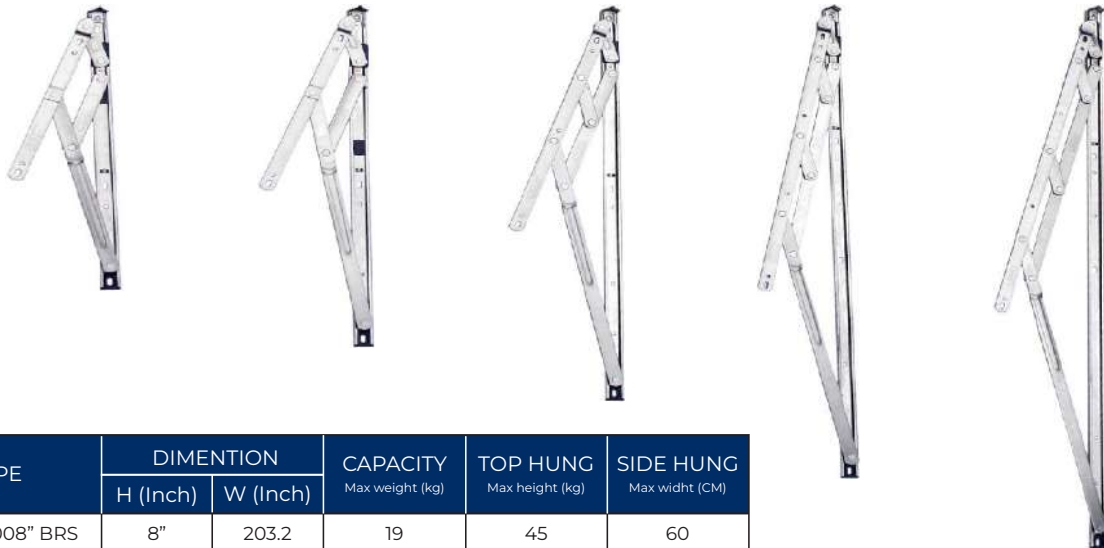
116

Material : Steel & Brass Pin
 Finish : US15
 Capacity : 50kg



CASEMENT STAY

Material : Stainless Steel
 Finish : US32D



TYPE	DIMENTION		CAPACITY Max weight (kg)	TOP HUNG Max height (kg)	SIDE HUNG Max width (CM)
	H (Inch)	W (Inch)			
CMT 45-008" BRS	8"	203.2	19	45	60
CMT 45-012" BRS	12"	304.8	23	50	75
CMT 45-016" BRS	16"	406.4	23	80	90
CMT 45-020" BRS	20"	508.0	25	110	-
CMT 45-024" BRS	24"	609.6	29	120	-
CMT 45-036"	36"	914.4	32	160	-

HEAVY DUTY INVISIBLE HINGE

1131

Material : Zinc Alloy
 Finish : Silver/Black
 Capacity : 120kg/3pcs
 Min. Door Thickness : 38mm

1132

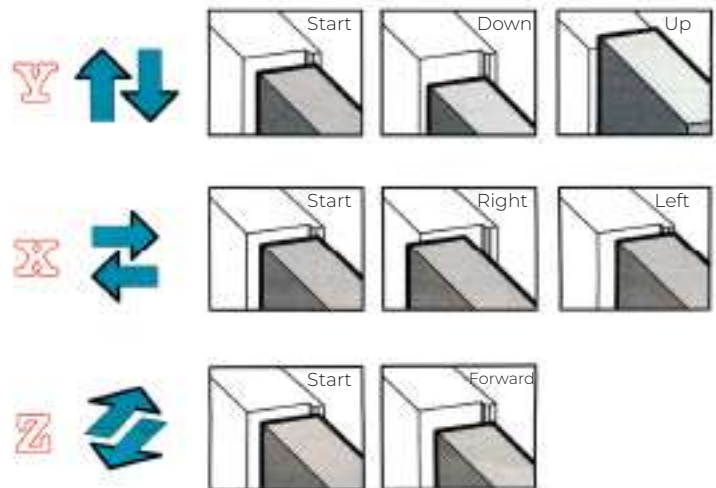
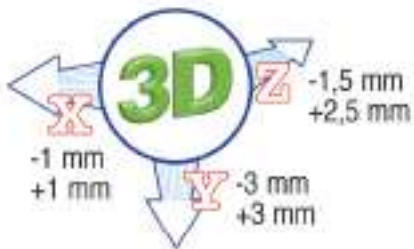
Material : Zinc Alloy
 Finish : Silver/Black
 Capacity : 180kg/3pcs
 Min. Door Thickness : 43mm

Door appearance blends into overall interior look



- Neat frame, invisible hinges.
- Door appearance blends into the surrounding interior.

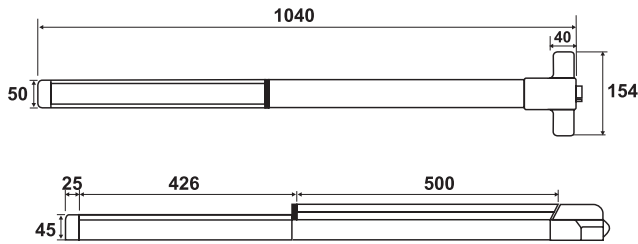
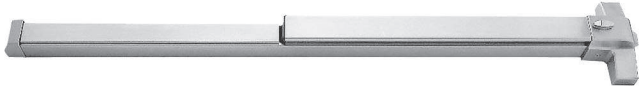
Changing Door Position without Removing It



- 3D movement feature
- Able to adjust door position without removing the hinge

TOUCH BAR SERIES PANIC EXIT - HOLD OPEN

85500 - P



Technical Features

- Case and latch bolt in stainless steel material
- Standard length 1040 mm, can be cut to 750 mm
- Hold Open (Lacth bolt can be activated or disactivated)

Finishing

- Grey Painted

Hand

- Non Handed

Outside Handle (optional)

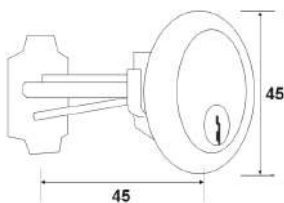
- 12500 Round

Outside Cylinder (optional)

- 12500 Round

OUTSIDE CYLINDER

KEND 12500
FOR KEND PANIC EXIT

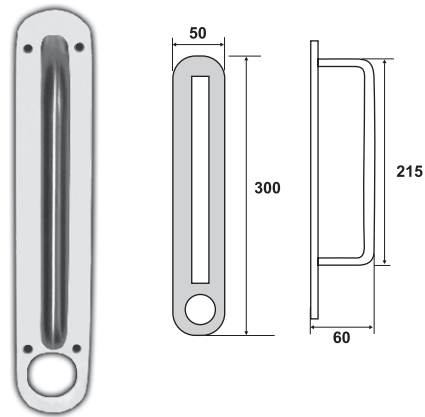


Technical Features

- Master key available on request

OUTSIDE HANDLE

KEND 75213 (ROUND)



Material

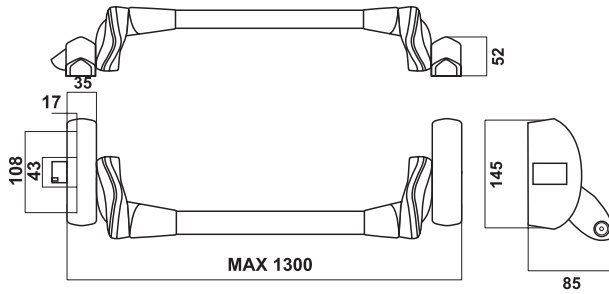
- Stainless Steel

Finishing

- Satin Stainless Steel (US32D)

PANIC EXIT DEVICE

PNC. 877003



Technical Features

- Max. door width: 130cm
- Black-painted aluminum case cover
- Chrome-plated aluminum alloy self locking
- Red-painted horizontal with adjustable length
- Non handed
- Optional outside handle

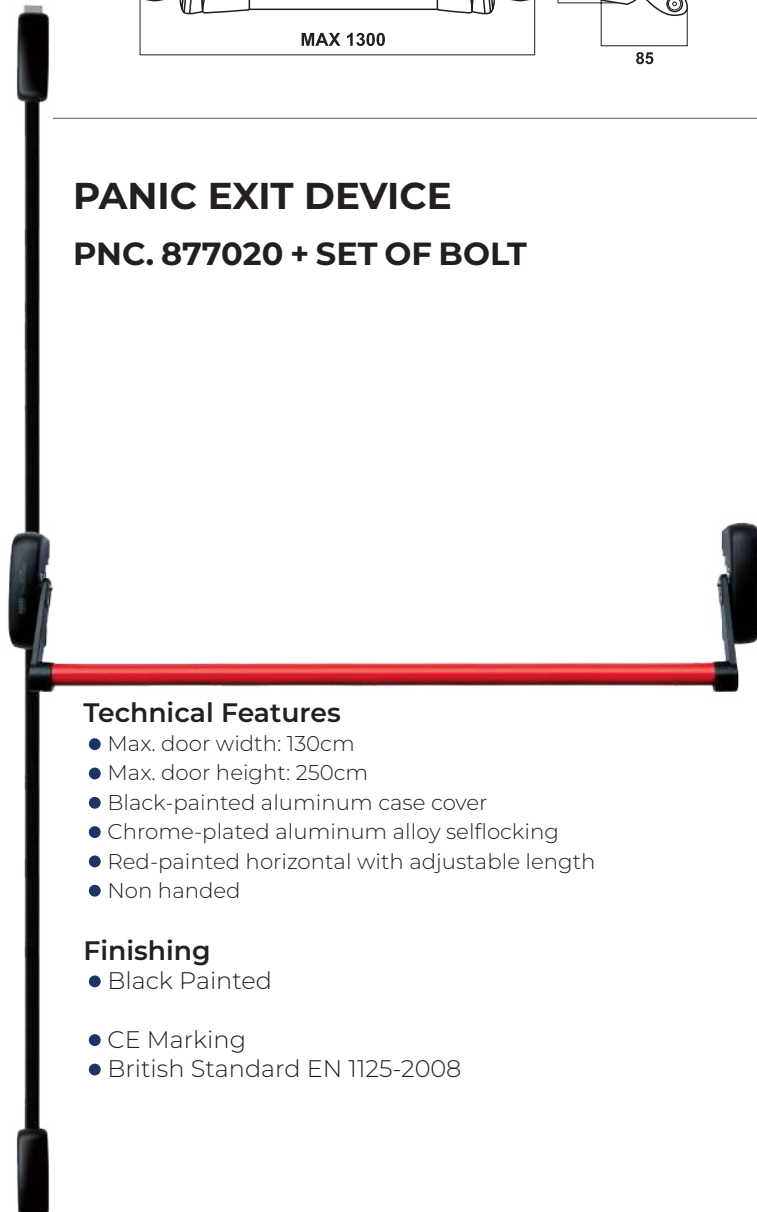
Finishing

- Black Painted
- CE Marking
- British Standard EN 1125-2008



PANIC EXIT DEVICE

PNC. 877020 + SET OF BOLT



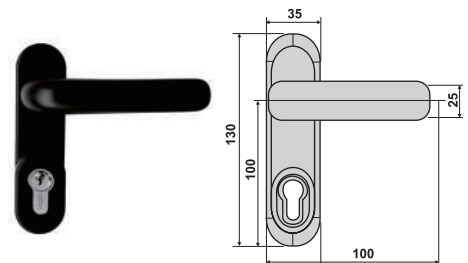
Technical Features

- Max. door width: 130cm
- Max. door height: 250cm
- Black-painted aluminum case cover
- Chrome-plated aluminum alloy selflocking
- Red-painted horizontal with adjustable length
- Non handed

Finishing

- Black Painted
- CE Marking
- British Standard EN 1125-2008

Outside Handle HDL.877000 (Optional)



KEND 08610-70 (Half)





DOOR CLOSER

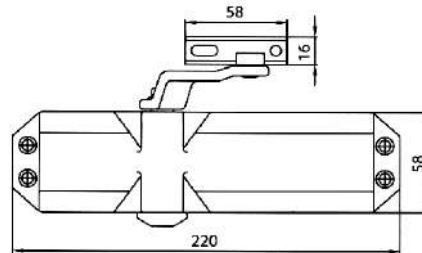
DCL 83210.2-4 RA*
DCL 83210.2-4 HO

Finish : SILVER



Specifications

Closing Force	2-4 (by Position)		
Application	Non Handed		
Max. Door Width	1100mm		
Max. Door Weight	80kg		
Closing Speed Angle	15°-180° Adjustable by Valve		
Latching Speed Angle	0°-15° Adjustable by Valve		
Optional Arm	RA (Regular Arm)		
	HO (Hold Arm)		
Technical Data	EN2	EN3	EN4
Max. Door Width	850mm	950mm	1100mm
Max. Door Weight	35kg	60kg	80kg



**Grade 1, suitable for use on fire door as stated in TUV SUD PSB No. S08MEC07093/KKC*

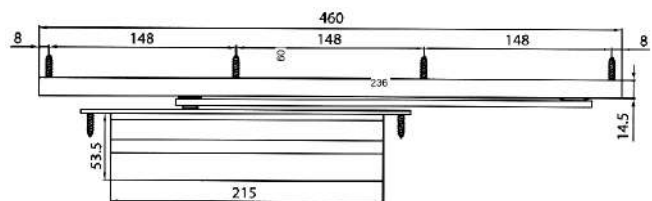
DCL 83270-4 SA

Finish : SILVER



Specifications

Closing Force	Fix Size
Application	Non Handed
Max. Door Width	1100mm
Max. Door Weight	80kg
Closing Speed Angle	15°-180° Adjustable by Valve
Latching Speed Angle	0°-15° Adjustable by Valve
Optional Arm	HO (Hold Open Arm), up to 110°



** Grade 1, suitable for use on fire door as stated in TUV SUD PSB No. S08MEC07093/KKC
Hold open device should be deactivated.*





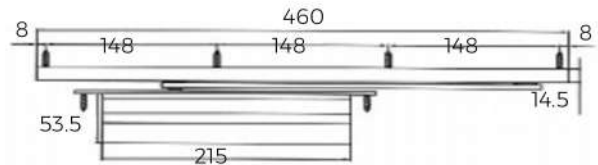
DOOR CLOSER

CLD O8320-4

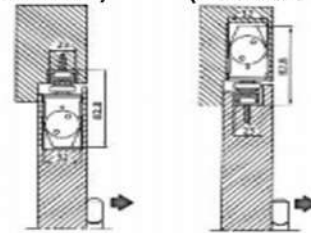
Finish : SILVER
BLACK



DIMENSION LAYOUT



Standar mount Top Jamb
(Pull side) (Push side)



Specifications

Closing Force	Fix Size
Application	Non Handed / Double Action
Max. Door Width	1100mm
Max. Door Weight	80kg
Closing Speed Angle	15°-180° Adjustable by Valve
Latching Speed Angle	0°-15° Adjustable by Valve
Optional Arm	HO (Hold Open Arm), up to 110°
Min. Door Thickness	42mm

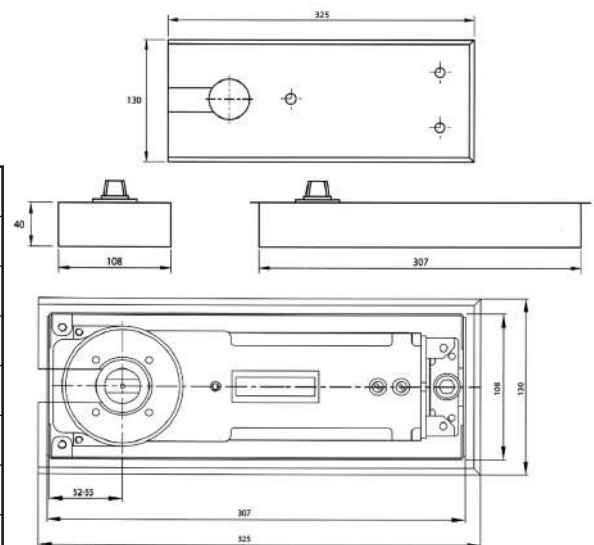
FLOOR HINGE

FH 08323

Finish : US32D



DIMENSION LAYOUT



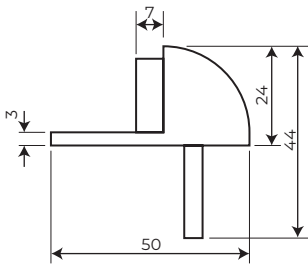
Specifications

Closing Force	Fix Size
Application	Non Handed / Double Action
Max. Door Width	1100mm
Max. Door Weight	100kg
Closing Speed Angle	15°-130° Adjustable by Valve
Latching Speed Angle	0°-15° Adjustable by Valve
Door Opening Angle	130°
Mechanical Hold Open	90°

DOOR STOP

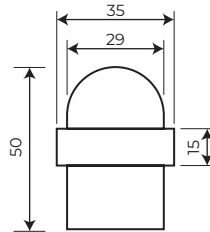
75-014

Material : Zinc Alloy
Finish : US32D



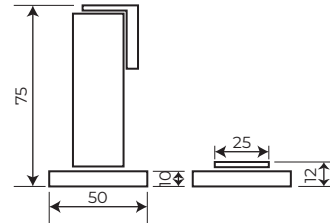
75-026

Material : Stainless Steel
Finish : US32D



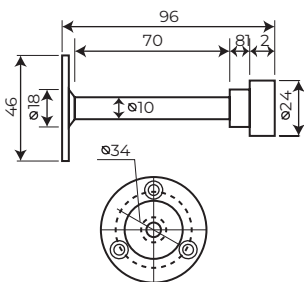
75-027 : 50MM

Material : Zinc Alloy
Finish : US26



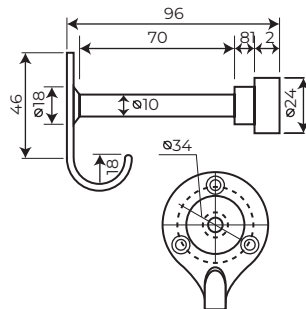
75-016

Material : Stainless Steel
Finish : US32D



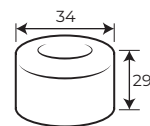
75-017

Material : Stainless Steel
Finish : US32D



9916

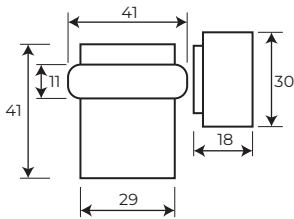
Material : Rubber
Finish : BL



DOOR STOP

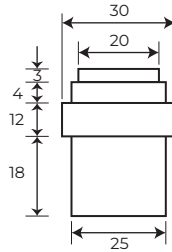
75-034

Material : Stainless Steel
Finish : US32D



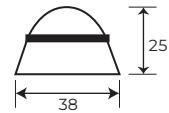
75-035

Material : Stainless Steel
Finish : US32D



75-036

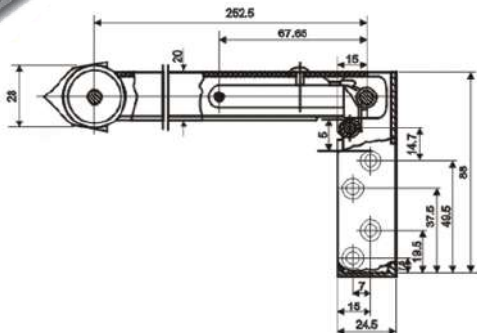
Material : Stainless Steel
Finish : US32D



DOOR SELECTOR

0100

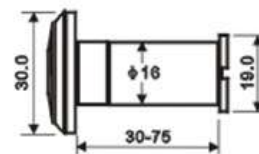
Material : Stainless Steel
Finish : US32D



DOOR VIEWER WITH COVER

35-60 MM

Material : Brass
Finish : US14



FLUSH BOLT

314 6" X 19 MM
314 12" X 19 MM

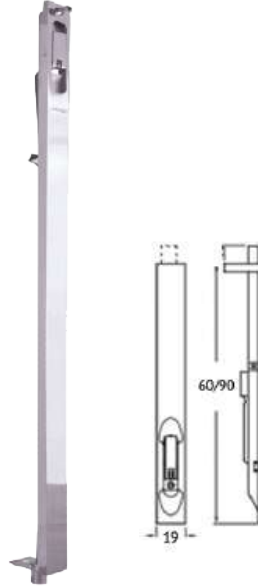
Material : Stainless Steel
 Finish : US32D



FLUSH BOLT

314 24" X 19 MM
314 36" X 19 MM

Material : Stainless Steel
 Finish : US32D



**FLUSH BOLT
 FOR METAL DOOR FRAME**

333 6"
333 12"

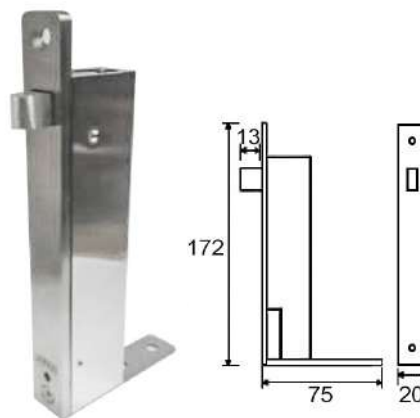
Material : Stainless Steel
 Finish : US32D



AUTO FLUSH BOLT

75 557

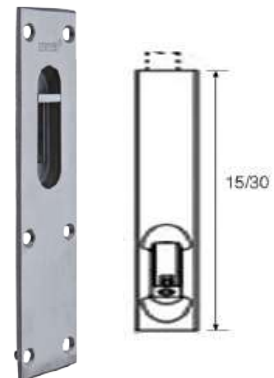
Material : Stainless Steel
 Finish : US32D



FLUSH BOLT

306 6"
306 12"

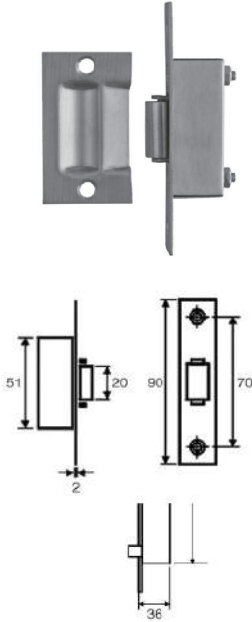
Material : Stainless Steel
 Finish : US32D



ROLLER CATCH

RC 75-002

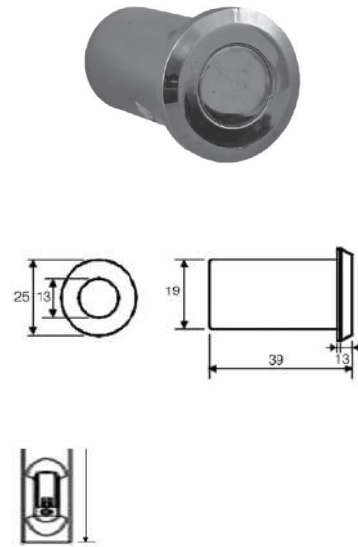
Material : Stainless Steel
Finish : US32D



DUST PROOF STRIKE

013 / 12N

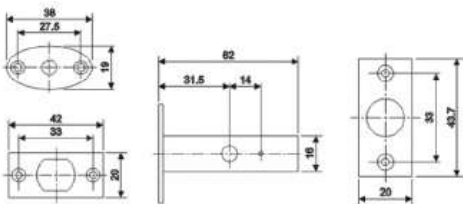
Material : Brass
Finish : US26



SECURITY BOLT

SC-5072

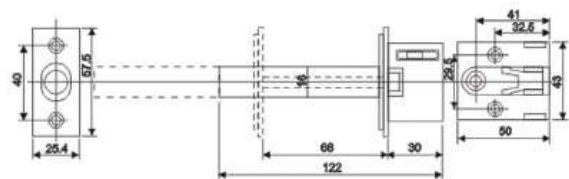
Material : Brass
Finish : US15D



CONCEALED DOOR CHAIN

7430

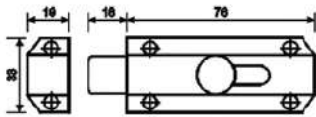
Material : Stainless Steel
Finish : US32D



SURFACE BOLT

440-3"
440-4"

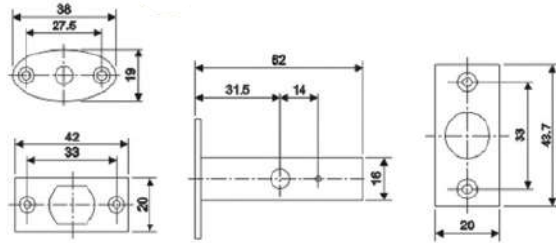
Material : Brass
Finish : US26D



SECURITY BOLT

5072 + KEY

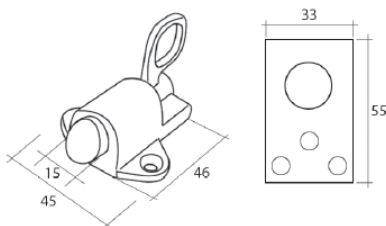
Material : Brass
Finish : US14D



SPRINGKNIP

75-378

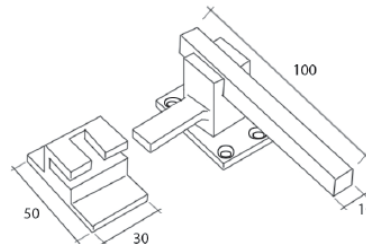
Material : Brass
Finish : US26D



RAMBUNCIS

76-034

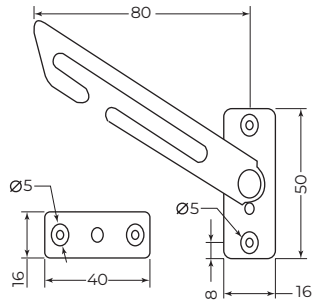
Material : Stainless Steel
Finish : US32D



WINDOW LOCK

SWH.128.01 LH (safety)

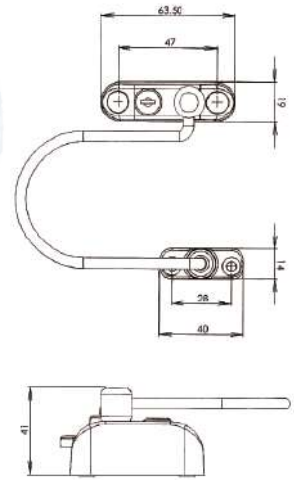
Material : Stainless Steel
Finish : US32D



WINDOW LOCK

SWL.128.02 (safety)

Material : Stainless Wire
Finish : WHITE



RAMBUNCIS

413 GREY

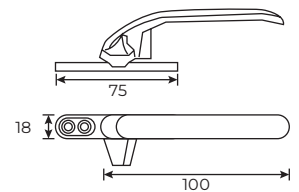
Material : Zinc Alloy

413 OFF WHITE

Material : Zinc Alloy

413 BLACK

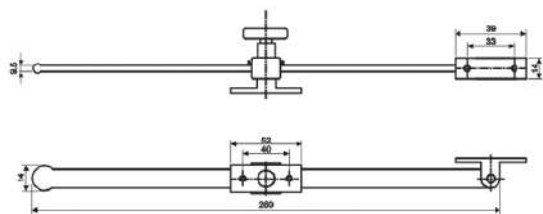
Material : Zinc Alloy



RAMSKAR

76 032

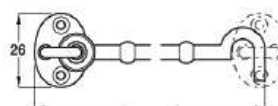
Material : Stainless Steel
Finish : US32D



HAK ANGIN

321

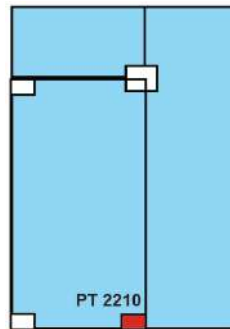
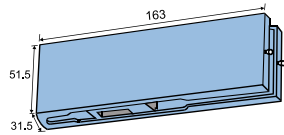
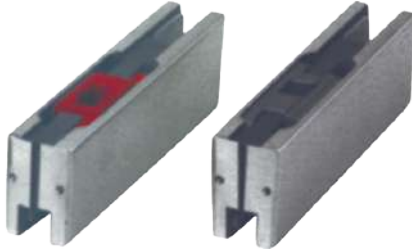
Material : Brass
Finish : US26



PATCH FITTING

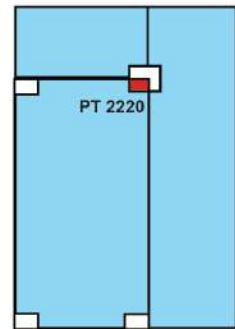
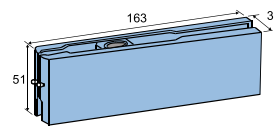
PT 2210

Finish : US32



PT 2220

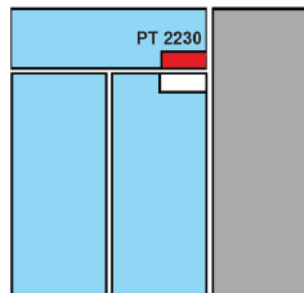
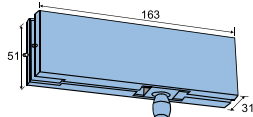
Finish : US32



1. PT.2210/D
for Dorma Floor Hinge (BTS), KEND Floor Hinge .
2. PT.2210/C
for CISA Floor Hinge (serie 602)

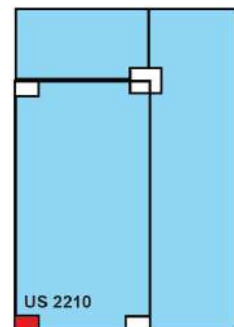
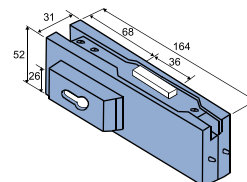
PT 2230

Finish : US32



US 2210

Finish : US32



PATCH FITTING

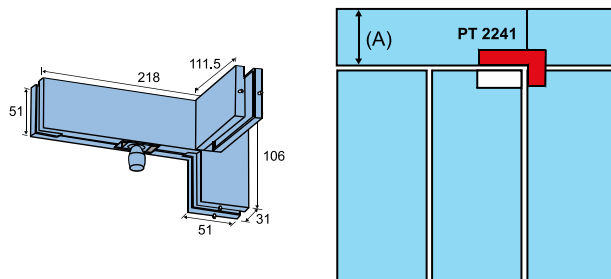
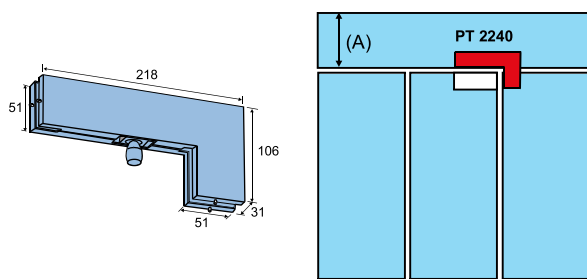
PT 2240

Material : Stainless Steel
Finish : US32



PT 2241 LH / RH

Material : Stainless Steel
Finish : US32



For use on >500mm Glass Panel.

TOP PIN

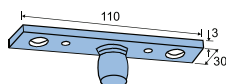
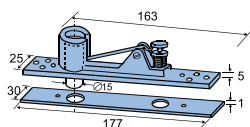
PT 2221

Material : Stainless Steel
Finish : US32

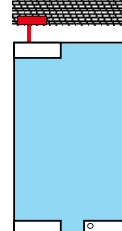
PT 2224

Material : Stainless Steel
Finish : US32

1. PT.2221
Adjustable Top PIN on hollow material for PT 2220
2. PT.2224
Fix Top Pin on massive material for PT 2220



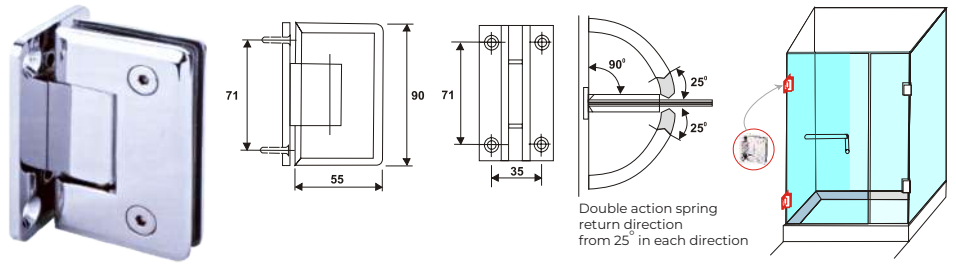
PT 2221 or PT 2224



**SHOWER HINGE
GLASS TO WALL**

E 571 90°

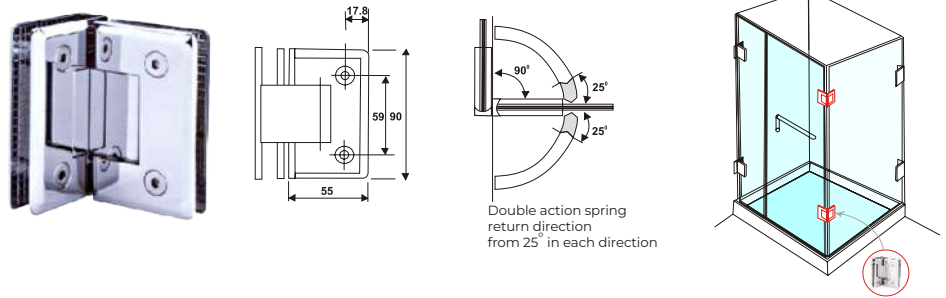
Material : Stainless Steel
Finish : US32



**SHOWER HINGE
GLASS TO GLASS 90°**

E 572 90°

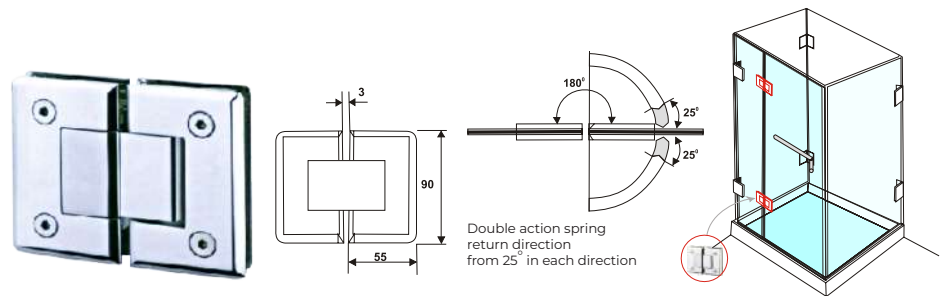
Material : Stainless Steel
Finish : US32



**SHOWER HINGE
GLASS TO GLASS 180°**

E 572 180°

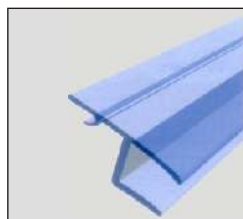
Material : Stainless Steel
Finish : US32



GASKET

GG 75-001

Thickness : 10mm, 12mm

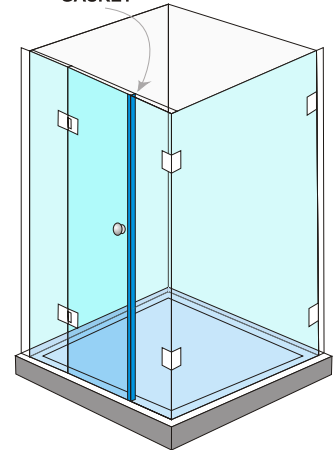


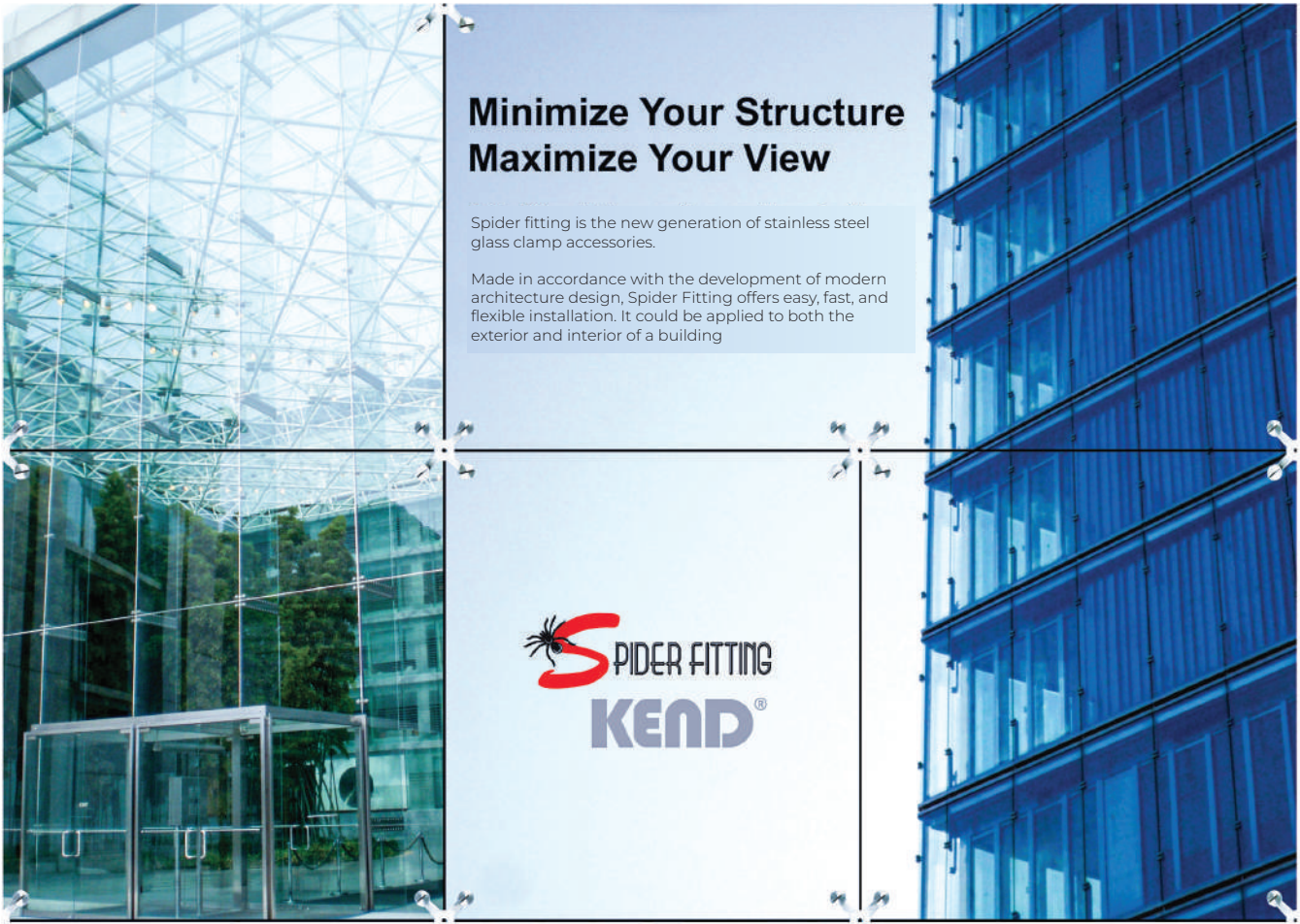
GG 75-010

Thickness : 10mm, 12mm



GASKET





Minimize Your Structure Maximize Your View

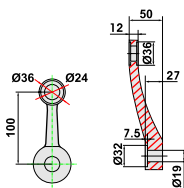
Spider fitting is the new generation of stainless steel glass clamp accessories.

Made in accordance with the development of modern architecture design, Spider Fitting offers easy, fast, and flexible installation. It could be applied to both the exterior and interior of a building



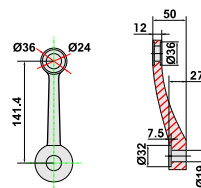
SP 2001 1-WAY ARM

Material : Stainless Steel SUS 316
Finish : US32D



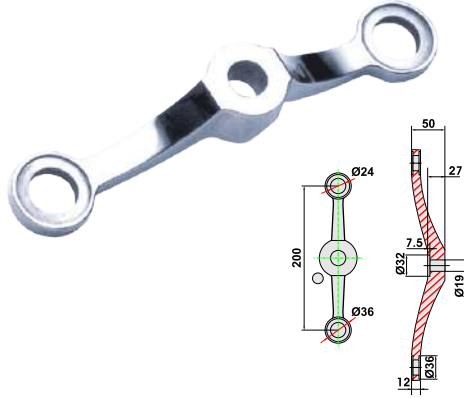
SP 2001 J 1-WAY ARM

Material : Stainless Steel SUS 316
Finish : US32D



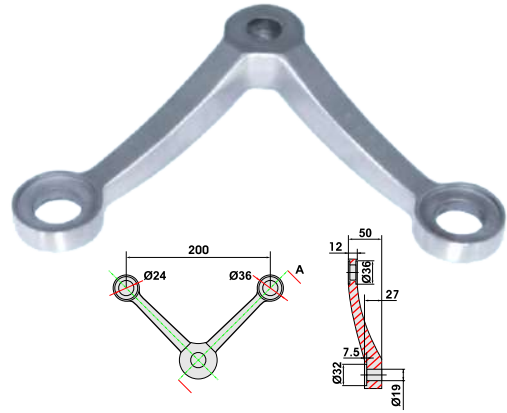
SP 2002 2-WAY ARM

Material : Stainless Steel SUS 316
 Finish : US32D



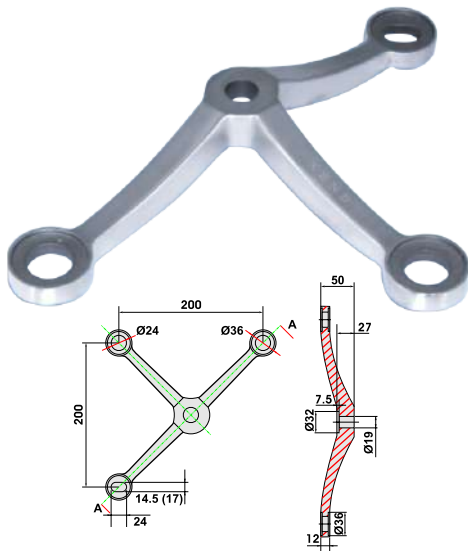
SP 2002 J 90° 2-WAY ARM

Material : Stainless Steel SUS 316
 Finish : US32D



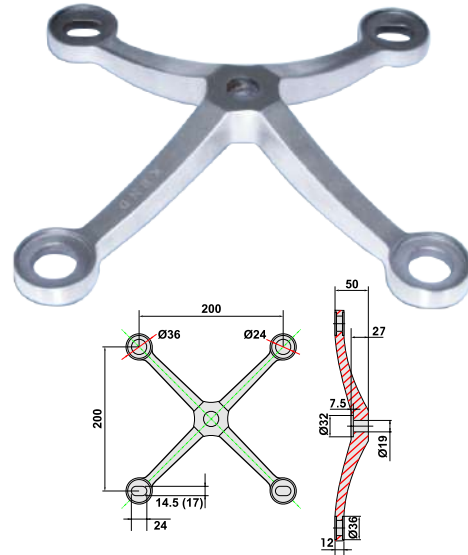
SP 2003 3-WAY ARM

Material : Stainless Steel SUS 316
 Finish : US32D

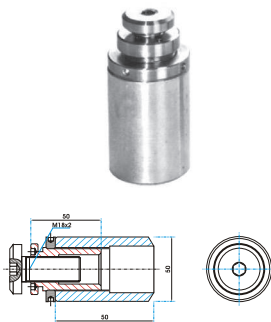


SP 2004 4-WAY ARM

Material : Stainless Steel SUS 316
 Finish : US32D



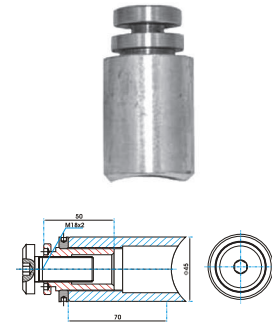
**CONNECTOR
 CNT-01 Ø46 FLAT**

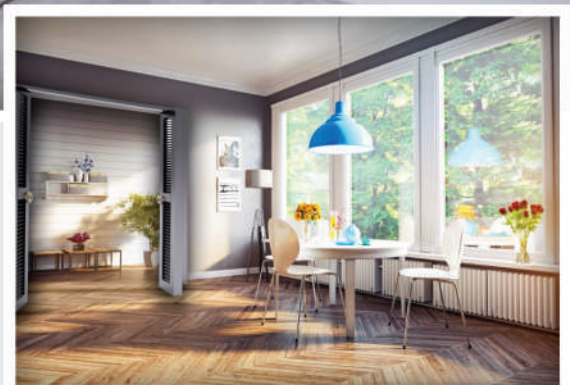


**ROUTE L
 RTL - 01**



**CONNECTOR
 CNT-01A Ø46 PIPE**

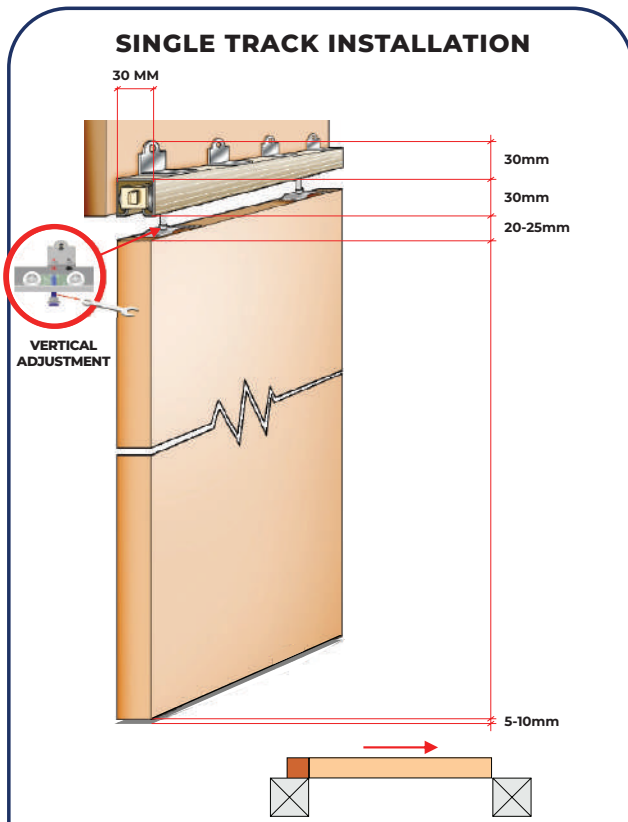




Sliding Set
Trackless
Flat Track
Straightaway
Cornaway
Centafold
Foldaside

SLIDING SET

P 85 2M



Max Door Width : 130cm

Max Door Height : 250cm

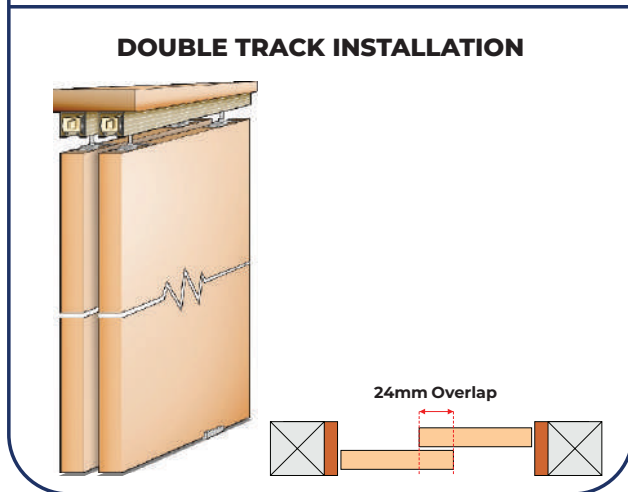
Applicable for:

- Sliding Door
- Wardrobe / Two by Passing Door

- ✓ Smooth Operation
- ✓ Rust-Resistant
- ✓ Jumped Proof Hanger
- ✓ End Looking Hanger

PACKAGE INCLUDING :

2.0 mm extruded aluminium rail, 2000 mm length	
2 pcs 4 wheels nylon hangers with ball bearing shaft	
2 pcs "stop & hold"	
1pc bottom track 1m	
1pc roller guide	
4 pcs steel galvanized side bracket	
Screws & Fischers	



OPTIONAL :



TRACKLESS

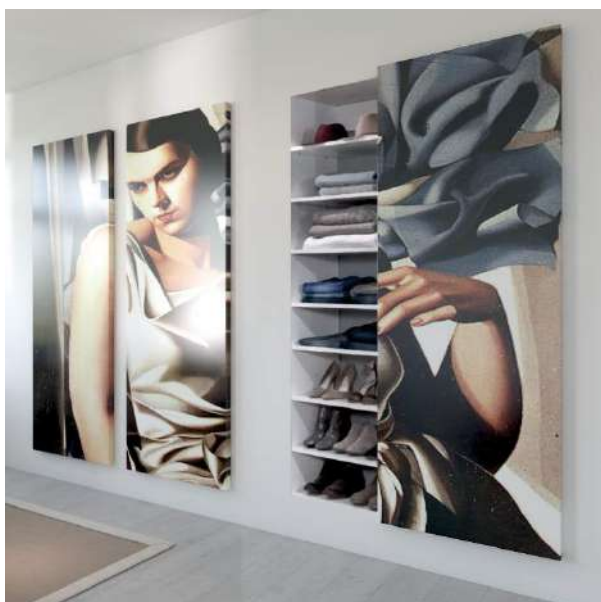


Product Overview

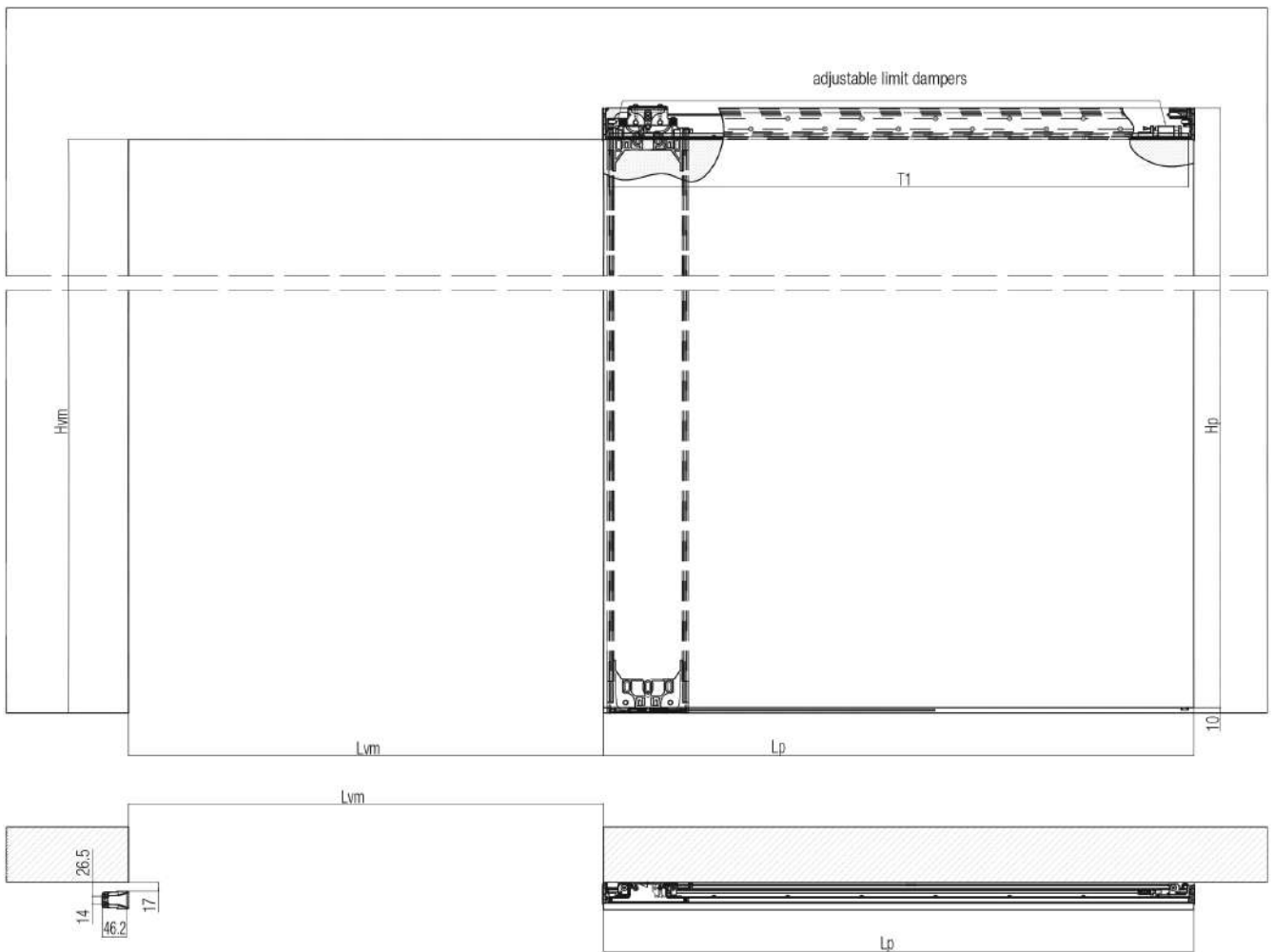
Coburn Trackless is a new innovative sliding door system with aluminum track concealed behind the door, resulting in aesthetic and clean door design. Without top and bottom tracks, this system allows the door to be installed at any height and offers multiple installment possibilities. The crossed cable solution guarantees complete balance of the door in any position and 3-dimensional adjustment. The design is perfect for use in walk-in-closets, wardrobes, and wall niches.

Technical Specifications

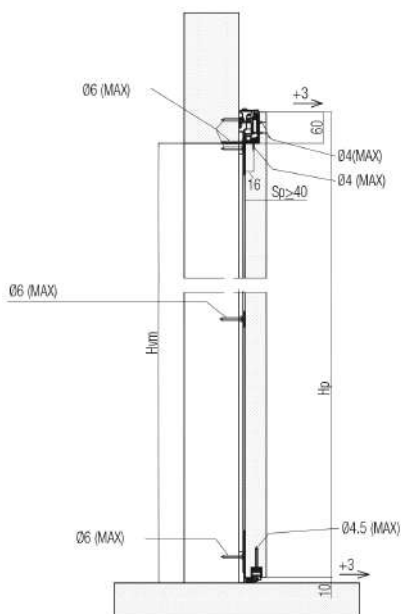
- Maximum Door Weight: 50kg
- Door Thickness: 40-50mm
- Maximum Door Height: 2,450mm
- Maximum Door Width: 1,200mm



		MAX. 50 KG								
Door Height (mm)	2500	50	50	50	50	50	50	49	46	
	2400	50	50	50	50	50	50	47	44	
	2200	50	50	50	50	50	47	43	40	
	2000	50	50	50	50	47	43	39	37	
	1800	50	50	50	46	42	38	35	33	
	1600	50	50	45	41	37	34	31	29	
	1400	50	45	40	36	33	30	28	26	
	1200	44	38	34	31	28	26	24	22	
	1000	37	32	28	26	23	21	20	18	
2150	50									
		1100	700	800	900	1000	1100	1200	1300	1400
		(mm) Door Width								



Door/Wall Distance = 12mm - Baseboard Thickness Max. 10mm, $S_p > 40$



Initial Data

L_{vm} = Wall opening width
 H_{vm} = Wall opening height

Standard Floor Dimensions

L_p = Door width = $L_{vm} + 218\text{mm}$
 H_p = Door height = $H_{vm} + 50\text{mm}$
 S_p = Door thickness

S_1 = Door protrusion due to external handle
 S_2 = Front protrusion of cabinet door

Lengths

T_1 = Upper track length to cut = $L_p - 20\text{mm}$
 T_2 = Lower track length to cut = $L_p - 28\text{mm}$
 T_3 = Vertical pillar length to cut = $H_p - 130\text{mm}$

FLAT TRACK



Product Overview

The Flat Track 100 sliding hardware with its various finishes and hanger styles is just as at home in trendy cafe or loft apartment as it is in a barn conversion, cottage or renovation on a listed building.

For doors up to 100kg with nylon bearing wheels offering smooth silent operation across the flat bar, the Flat Track 100 system offers aesthetic appeal and versatility including new soft closing and bi-passing bracket options without compromising on performance.



Hanger

Features

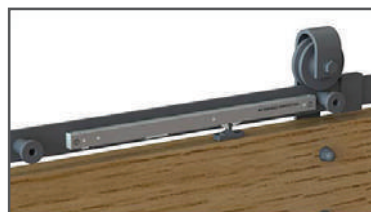
- Durable steel hangers with PA66 nylon wheels run effortlessly and across a solid Flat Track
- Nylon wheels supplied with precision sealed ball bearings.
- Anti-jump blocks prevent door from being removed from track.
- Soft closing available, concealed behind the flat bar track.
- Easy to install.
- Choice of hanger styles and finishes available.
- For internal use only.



Track stop and anti-jump block

Technical Specifications

Maximum Door Weight: 100kg
 Minimum Door Width: 550mm
 Door Thickness: 35 mm - 44mm



Soft Closer
(Fitted behind track)

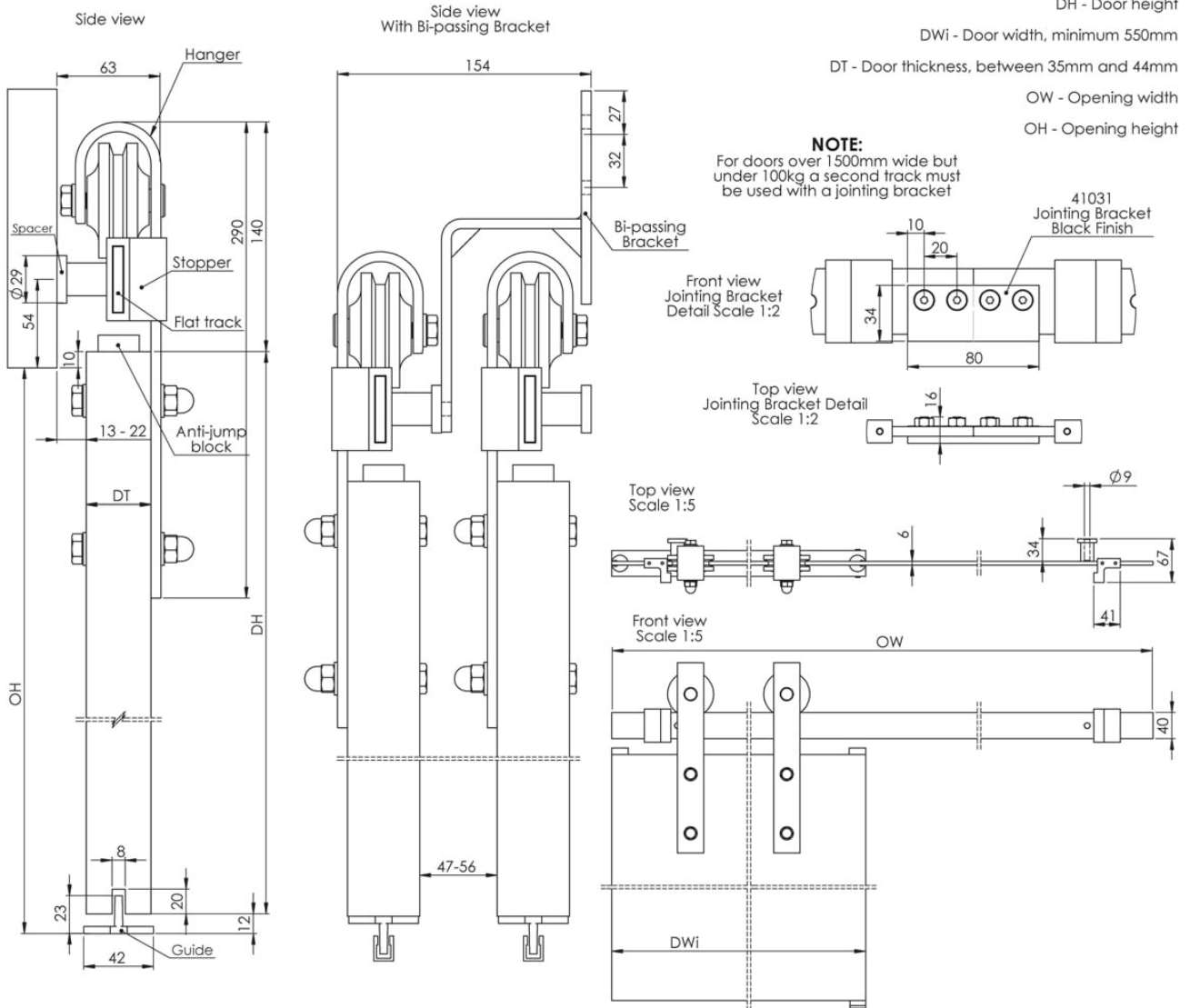


Guide



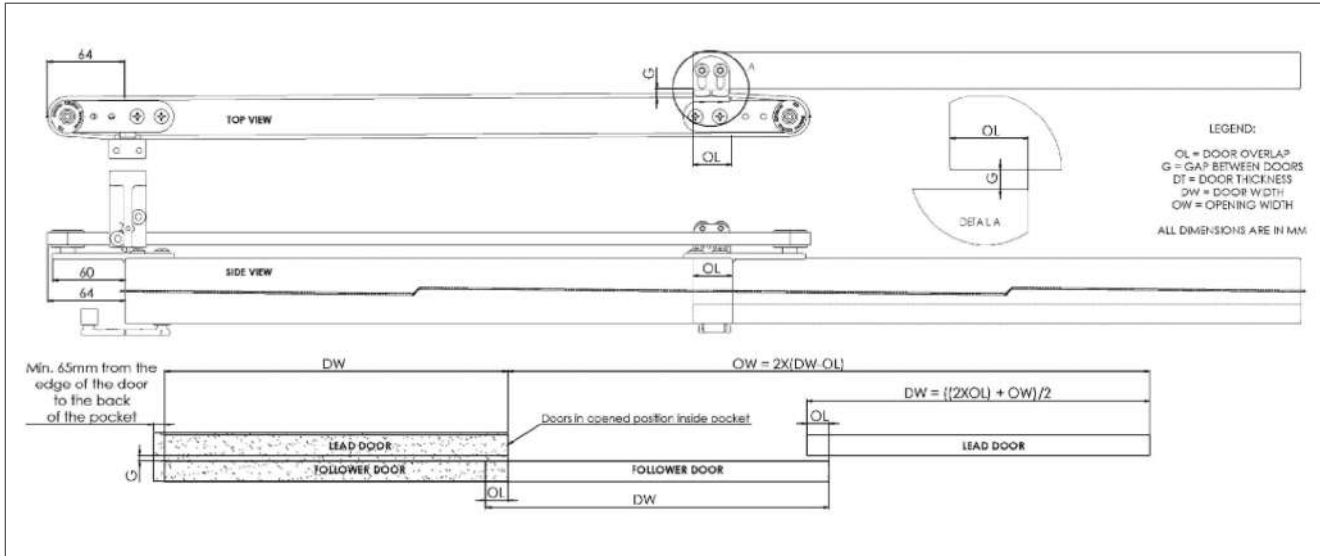
Flat track 100

Maximum door weight 100kg

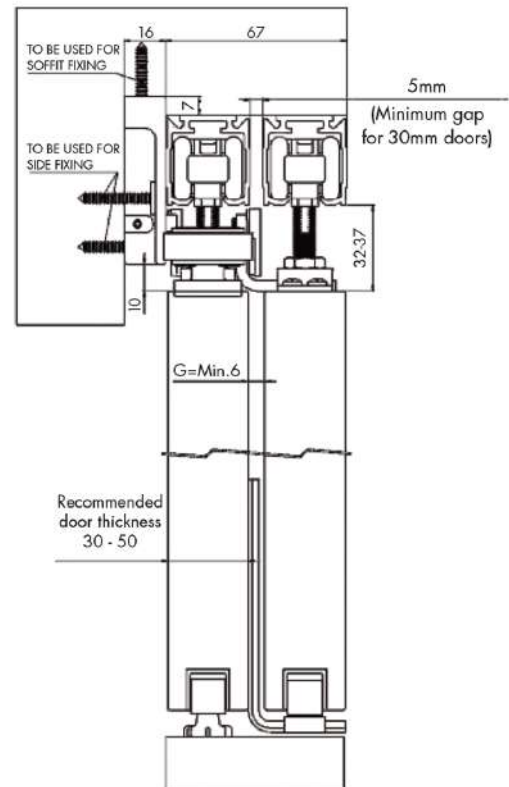
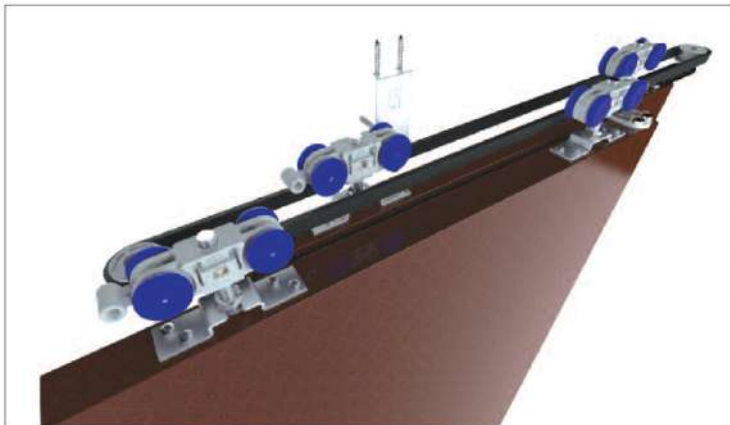


STRAIGHTAWAY

The Straightaway Telescopic system is the perfect solution to move 2 or 3 doors in the same direction, resulting in a more effective use of building space with wider passageway compared to single-panel sliding doors. The space-saving design uses a heavy duty toothed belt and pulley that link multiple doors, aligning them neatly behind each other when the door is opened.

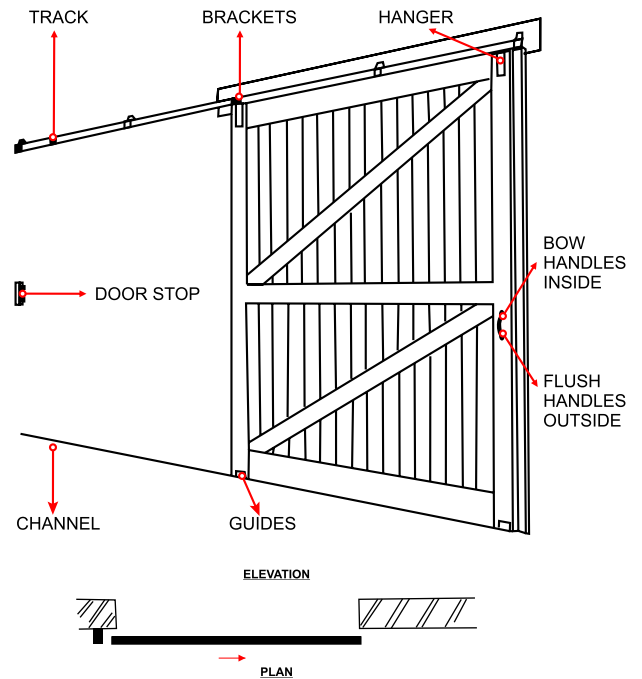


2-pane doors configuration



STRAIGHTAWAY

For Door on Single Track



Top-hung straight sliding doors on single track. Suitable for use in factories, garages, warehouse, etc.

Classification

TYPE	Max. Door Weight (Kg)	Max. Door Height (mm)	Door Thickness (mm)
Straightaway 100	100	2.5	20-50
Straightaway 216	200	4.0	35-44
Straightaway 320	400	5.0	44-57
Straightaway 325	600	6.0	44-57
Straightaway 430	1000	7.0	57-70

Product List

<p>HANGER</p> <ul style="list-style-type: none"> • 1 - 246 	<p>HANGER</p> <ul style="list-style-type: none"> • 2 - 249 • 3 - 207 • 4 - 207 <p>FOR STEEL DOOR</p>	<p>GUIDE</p> <ul style="list-style-type: none"> • 44 - 315 <p>FOR STEEL DOOR</p>	<p>GUIDE</p> <ul style="list-style-type: none"> • 44 - 345 <p>FOR WOOD DOOR</p>	<p>BRACKET</p> <ul style="list-style-type: none"> • 2 - 100 • 3 - 100 I • 4 - 100
<p>BRACKET</p> <ul style="list-style-type: none"> • 2 - 150 • 3 - 150 	<p>DOORSTOP</p> <ul style="list-style-type: none"> • 44 - 179 	<p>DOORSTOP</p> <ul style="list-style-type: none"> • 1 - 719 	<p>DOORSTOP</p> <ul style="list-style-type: none"> • 97 - 711 I 	<p>GUIDE</p> <ul style="list-style-type: none"> • 42 - 371



Integrated Soft Closer

Product Overview

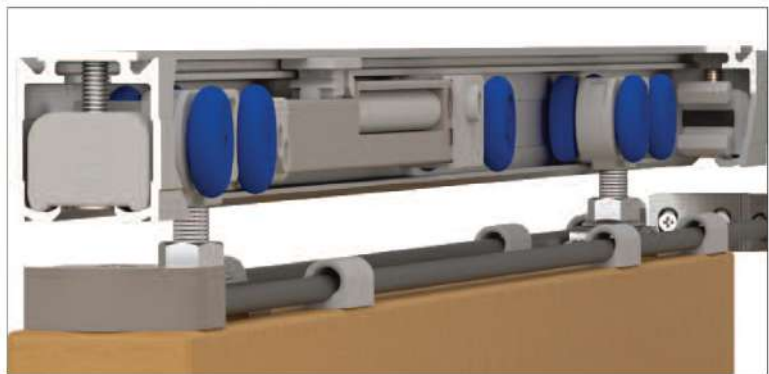
The Straightaway 100 hanger has been designed so that the soft closer mechanism, including the actuator, are mounted within the track, which provides space on top of the door to fit other accessories such as the self closer mechanism, Microline (low headroom), Telescopic and Synchro.



Self Closer Mechanism

Product Overview

The Straightaway Self Closing kit is a dependable hardware system designed to enable sliding doors to self-close without the necessity of a power source or counterweights. The kit, which comprises of an elastic cord and pulley c/w bearing, is extremely quiet and smooth, and is suitable for use in many internal applications. Can be used in conjunction with soft closer.



Synchro

Product Overview

The Straightaway Synchro is a hardware system that permits the simultaneous opening and closing of two door leaves and is ideal for internal applications. The kit which comprises of a high tensile steel wired cable and pulley c/w bearings, enables the doors to bi-part harmoniously with minimal effort and can be specified for use with doors up to 100kgs.



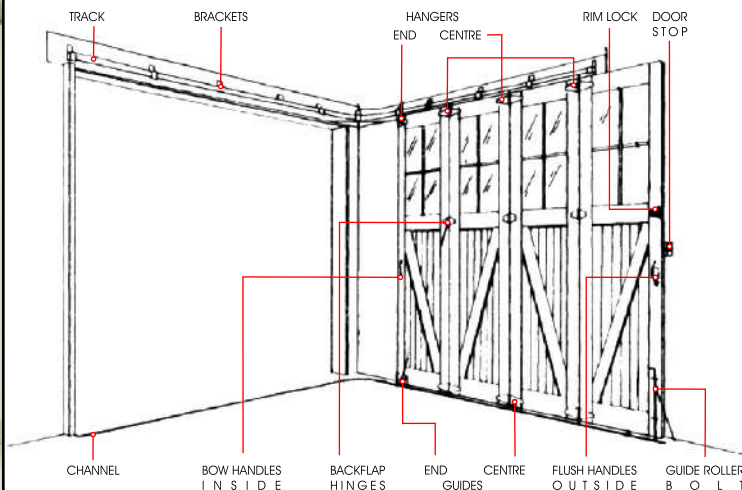
S T R A I G H T A W A Y

No.	DESCRIPTION	S E R I E S				
		100	216	320	325	430
	Max. Door Weight	100 kg	200 kg	400 kg	600 kg	1000 kg
	Max. Door Height (m)	2.5	4	5	6	7
	Door Thickness (mm)	20-50	35-44	44-57	44-57	57-70
1	Top Track	1-12-3m/4m AL 1-23-2m AL (u/soft close)	2-16-3m/4m Galv	3-20-3m/4m Galv	3-25-3m/4m Galv	4-30-3m/4m Galv
2	Bottom Track					
	Aluminium Steel	serie 100 - m	33-2-3m/4m 44-1-3m/4m	33-2-3m/4m 44-1-3m/4m	33-2-3m/4m 44-1-3m/4m	44-1-3m/4m
3	Hanger	1-246 1-206 (u/soft close)	2-249	3-207	3-207	4-407
4	Plate for Wooden Door		plate for 2-249	plate for 3-207	plate for 3-207	
5	Side Fixing Bracket	1-100	2-100	3-100	3-100	4-100
6	Soffit Bracket		2-150	3-150	3-150	4-150
7	Closed End Piece		2-001 / 2-051	3-001 / 3-005	3-001 / 3-005	
8	Door Stop	1-719	44-179	97-711	97-711	
9	Door Bolt	306-6"	95-560	95-560	95-560	95-560
10	Guide for Wood Door		44-345	44-345	44-345	
11	Guide for Steel Door		44-315	44-315	44-315	44-315
12	Nylon Guide	42-371				

	Series With Aluminium Track	Series With Aluminium Track		
		100kg	130kg	180kg
Add-ons for Straightaway Systems:				
1. Soft Close Kit for 100 kg	30-637 Soft close kit for 1 side	Yes	Yes	No
Soft Close Kit for 130 kg	30-614 Soft close kit for 1 side	Yes	Yes	No
2. Self Close	30-701 Self close kit	Yes	Yes	Yes
3. Telescopic	97-791 2 doors Telescopic kit for 2 doors	Yes	Yes	Yes
	97-792 3 doors Telescopic kit for 2 doors	Yes	Yes	Yes
4. Synchronized	61-405 Syncro kit	Yes	Yes	Yes
5. Microline With Microline gap can adjusted to 2mm	97-741 For max. 250kg	Yes	Yes	Yes

CORNAWAY

For Doors Sliding from the opening to side wall or walls



Application

Top-hung angle sliding doors for domestic and industrial use. For garages, factories, etc.

Range

Track Type	: 3 - 20
Max. Weight per Door Panel	: 50 kg
Max. Door Height	: 3.3 m
Max. Opening Width	: Unlimited
Max. Door Panel Width	: 1 m

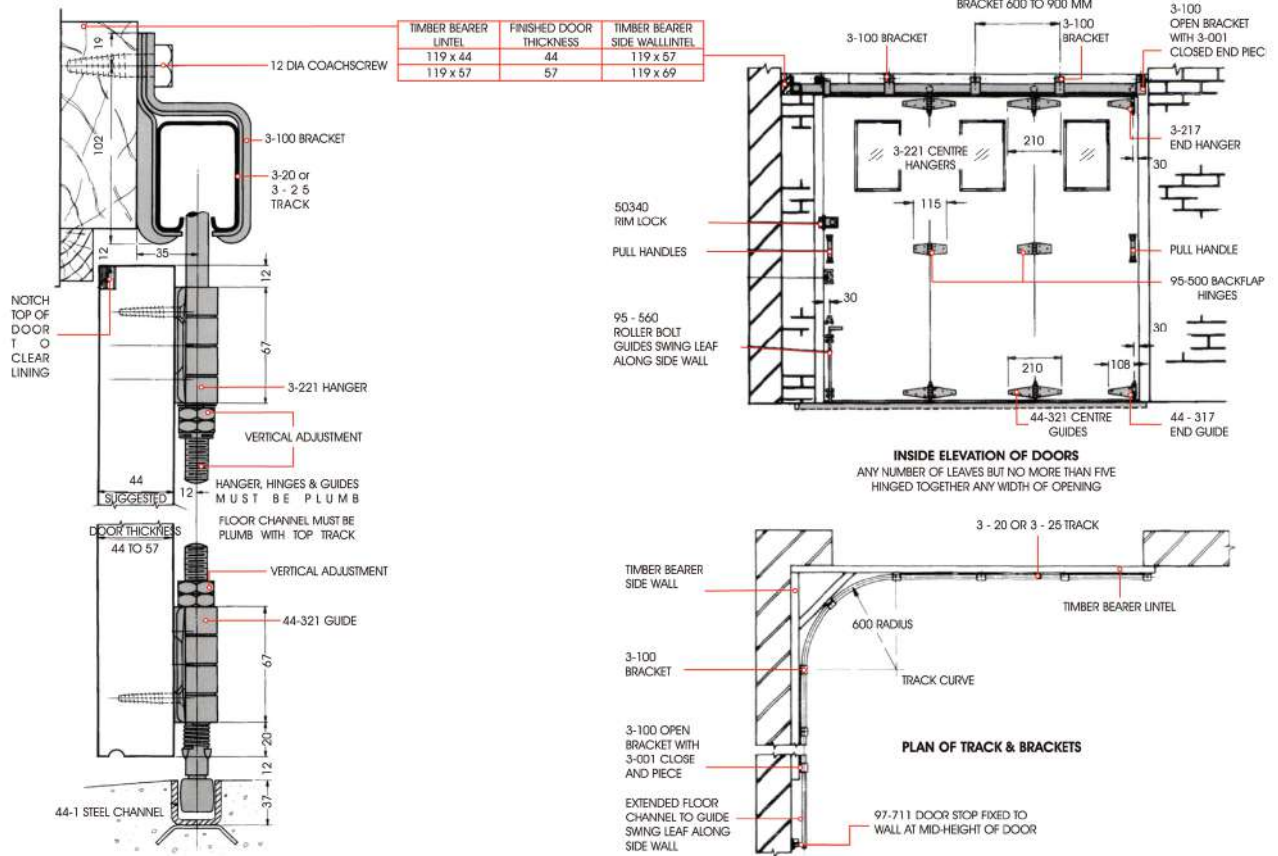
Door Construction

Door thickness 44 to 57 mm. All door leaves equal width. If swing leaves hinged to sliding doors reduced door width by 100 mm, height by 300 mm and weight by 10 kg. If depth of return wall exceeds radius of curve by 75 mm or more, a swing leaf is not essential.

Fixing

Side fixing standard. It is essential that top tracks and floor channel are plumb. Notch top corners of doors where shown, to clear stop at head. Hangers and guides have vertical adjustments.

CORNAWAY



Product List

<p>CENTER HANGER ● 3-221</p>	<p>END HANGER ● 3-217</p>	<p>BACKFLAPHINGE ● 95-500I</p>	<p>CENTER GUIDE ● 44-321 I</p>	<p>END GUIDE ● 44-317 I</p>	<p>GUIDEROLLERBOLT ● 95-560</p>
<p>BRACKET ● 3-100 I</p>	<p>BRACKET ● 3-150</p>	<p>BOLTS A. 12 MM B. 1.2 X 7 MM C. 1.8 X 8 MM D. 1.2 X 12 MM</p>	<p>DOORSTOP ● 97-711 I</p>	<p>RIM LOCK ● 50340-V2</p>	

CENTAFOLD



Centafold 250
Residential Sliding & Folding Door Systems

Door Specifications

- Maximum Door Weight : 36kg
- Door Thickness : 35-44mm
- Maximum Door Width : 1200mm
- Maximum Door Height : 2700mm
- Track Dimension : 37mm (w) x 44mm (h) Galvanised Steel
- Track Dimension : 37mm (w) x 44mm (h) Aluminium
- Door Construction :
Door panel width vary according to arrangements, refer to drawings for details. Up to 7,5 panels can be hinged together and a loose suite of 5-7 panels may be used. Half of the panel is always hinged to jamb. Swing panels on folding suites reduce door width by 700mm. Always engage hold-back catch before operating.

Hardware Specifications

- Track brackets usually soffit fixed. Universal soffit bracket designed for ease of fixing and versatility.
- Nylon wheeled hangers with vertical adjustment.
Floor channel unnecessary under swing leaves.
- Steel top track galvanised to BS EN 10346
- Aluminium bottom channel, drilled and countersunk

Classification

TYPE	Max. Weight per Door Panel (kg)	Max. Door Height (m)	Max. Door Leaf Width (mm)	Max. Opening Width
Centafold 250	36	2.7	1200	Unlimited
Centafold 350	60	3.3	1200	Unlimited



Centafold 350
Commercial Sliding & Folding Door Systems

Door Specifications

- Maximum Door Weight :
- 60kg using 3-20 track - 65kg using 3-25 track
- Door Thickness : 44-55 mm
- Maximum Door Width : 1200 mm
- Maximum Door Height :
- 3300mm using 3-20 track - 3600mm using 3-25 track
- Track Dimensions :
- 3-20 track 47mm (w) x 63mm (h)
- 3-25 track 49mm (w) x 64mm (h)
- Door Construction :
Door panel width vary according to arrangements, refer to drawings for details. Up to 7,5 panels can be hinged together and a loose suite of 5-7 panels may be used. Half of the panel is always hinged to jamb. Swing panels on folding suites reduce door width by 800mm. Always engage hold-back catch before operating. Track brackets are designed for easy fix and versatility. Additional brackets are required where door panels will stay when folded.

Hardware Specifications

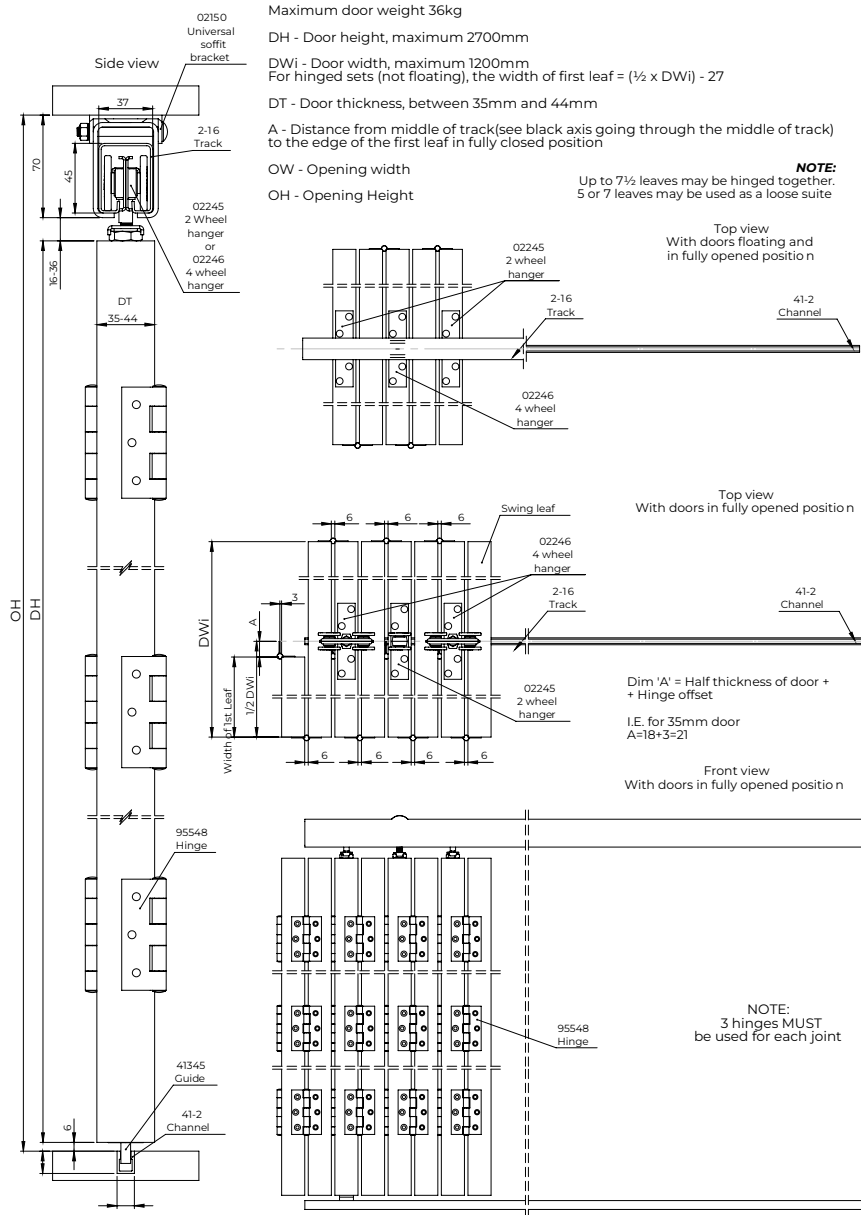
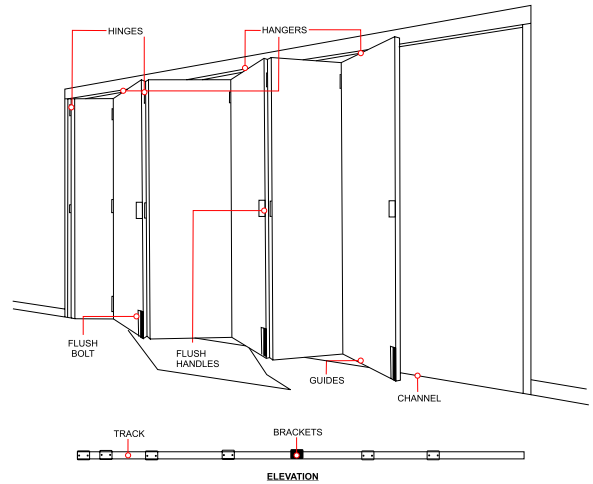
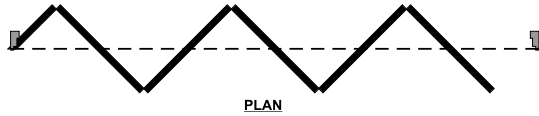
- Steel top track galvanised to BS EN 101346
- Hangers have vertical adjustment
- Floor channel unnecessary under swing leaves.
- Hangers are steel with ball bearings and lubricated for life

CENTAFOLD

Residential Sliding & Folding Door Systems

Product Overview

Centafold 250 is a top hung system for internal folding door openings without rebated heads or sills. Suitable for hospitals, schools, and offices. Centafold 250 folds in the center, leaving half panels in both sides when opened.



FOLDASIDE 310



Foldaside 310 sliding & folding door system for top hung inward folding doors. Suitable for garages, factories, warehouses, and industrial use.

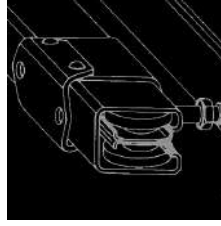
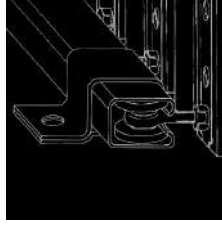
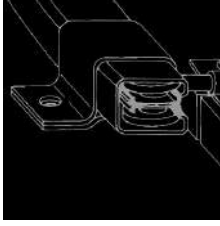
Overview






Top hung folding system for internal or external timber doors up to 50kg

- Up to 8 panels may be hinged together, stacking to either one or both sides of the opening.
- Suitable for both odd and even numbers of doors.
- Loose suites can be used to fill any width of opening.
- Steel top track galvanized to follow BS EN 10142 standard.
- Hangers and guides can be adjusted vertically to ensure a perfect fit.
- Hangers are steel with ball bearings lubricated for life.
- Floor channel are unnecessary under swing panels.

Classification

TYPE	Max. Weight per Door Panel (Kg)	Max. Door Height (m)	Max. Door Panel Width (mm)	Max. Opening Width
Foldaside 310	55	3.3	900	Unlimited



No.	DESCRIPTION	S E R I E S				
		CORNAWAY 310	CENTAFOLD 250	CENTAFOLD 350	FOLDASIDE 310	FOLDASIDE 340
	Max. Door Weight	50 kg	36 kg	55 kg	55 kg	50 kg
	Max. Door Height (m)	3.3	2.7	3.3	3.3	3.3
	Max. Door Leaf Width (mm)	800	1200	1200	900	900
	Door Thickness (mm)	44-57	35-44	44-55	44-57	44-55
						
1	TOP TRACK	3-20-3m/4m Galv	2-16-3m/4m Galv	3-20-3m/4m Galv	3-20-3m/4m Galv	3-20-3m/4m Galv
2	BOTTOM TRACK - ALUMINIUM - STEEL	44-1-3m/4m	33-2-3m/4m	33-2-3m/4m	44-1-3m/4m	33-2-3m/4m
3	CURVE TRACK	3-600				
4	BOTTOM CURVE TRACK	44-600				
5	END HANGER	3-217			3-217	
6	CENTRE HANGER	3-221			3-221	
7A	HANGER		2-245	3-245		3-240
7B	HANGER - FOUR WHEELS					3-241
8	SIDE FIXING BRACKET	3-100			3-100	
9	BRACKET, SOFFITE FIXING		2-150	3-150		3-150
10	CLOSED END PIECE	3-001	2-051	3-051	3-001	3-051
11	END GUIDE	44-317			44-317	
12	CENTRE GUIDE	44-321			44-321	
13	BOTTOM GUIDE		44-345	44-345		44-340
14	BACKFLAP HINGE	95-500			95-500	
15	DOOR BOLT	95-560			95-560	
16	DOOR STOP	97-711				
17	BUTT HINGE		Sel007	Sel007	Sel007	Sel007
18	FLUSH BOLT		306 - 6"	306 - 6"	306 - 6"	306 - 6"
19	BOLTS	12 mm 1,2 x 7 cm 1,2 x 12 cm	12 mm 1,2 x 12 cm	12 mm 1,2 x 12 cm	12 mm 1,2 x 12 cm	12 mm 1,2 x 12 cm

FOLDASIDE 340

Application

Top hung, internal Folding doors with concealed fitting.
For hospitals, schools, private residence, ect.

Range

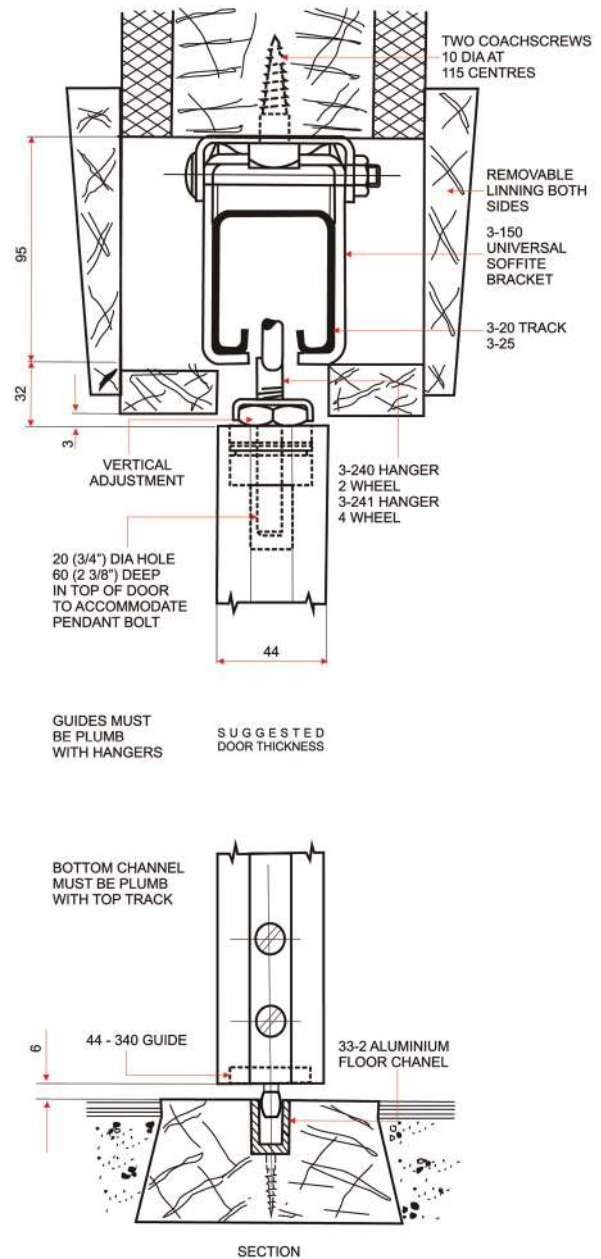
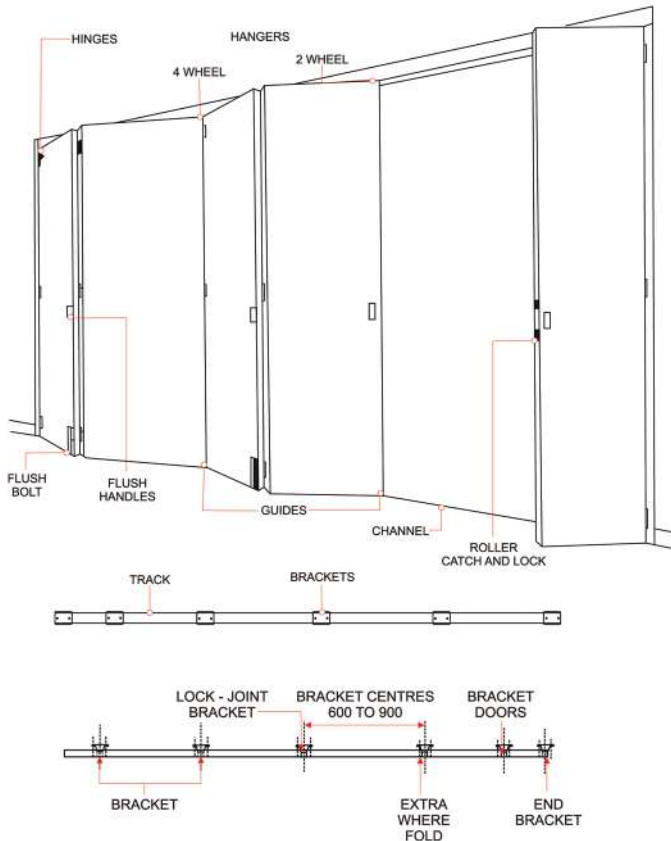
- Track Type : 3-20
- Max. Door Weight : 50Kg
- Max. Door Height : 3,3m
- Max. Door Width : 900mm

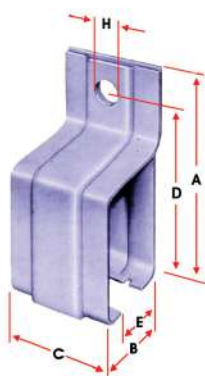
Door Construction

Door thickness 50-50mm. Width of door leaves vary according to arrangements, refer to drawings for details. Rebating to suite hanger aprons is shown. Swing leaves are best hinge to jambs. When hinged to folding suites reduce door widths to 800mm and use four wheel hanger adjoining "swinger".

Fixing

Track brackets usually doffit fixed. Additional brackets required where doors park when folded. All hangers have vertical adjustment. Floor channel unnecessary under swing leaves





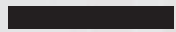
SIDE FIXING BRACKET

TRACK TYPE	A mm	B mm	C mm	D mm	E mm	H Ø BOLT mm	BRACKET TYPE
2-16	92	50	49	76	25	12	2-100
3-20	121	67	60	102	35	12	3-100
3-25	121	68	60	102	36	16	3-100
4-30	152	81	75	130	45	16	4-100



UNIVERSAL SOFFIT FIXING BRACKET

TRACK TYPE	A mm	B mm	C mm	D mm	H Ø BOLT mm	BRACKET TYPE
2-16	70	45	45	90	8	2-150
3-20	94	58	57	115	10	3-150
3-25	94	58	57	115	10	3-150
4-30	120	76	76	140	12	4-150



Induction
Foldaside
Sliding Glass
Sliding Pivot
Cubical Toilet Glass
Cubical Toilet LM
Movable Partition

INDUCTION



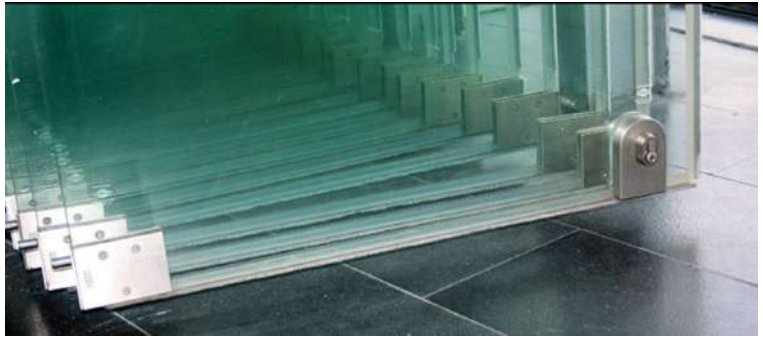
Project Rumah Tinggal Cilandak - Jakarta

Product Name : **KEND Induction Glass System**
 Available for : 10 / 12mm Tempered Glass
 Application for : Villa, Restaurant, Showroom, Mall, Hotel,
 Bank, Residential
 Material : Stainless Steel SUS 304
 Rail & Runner : KEND / Tachikawa
 Capacity :
 Max. Door Width : 1200mm
 Max. Door Height: 4000mm

Features

- Modern minimalist
- Clear view
- Maximized opening dimension
- Easy & safety operation
- Easy maintenance
- Stacking system
- Without bottom rail

Rodeo at
Mal Taman Anggrek
Jakarta



Hotel Le Meridien



Jl. Taman Amir Hamzah Jakarta



Kenangan Heritage Senayan City Jakarta

 Pivot 8199 T/B US32D	 Glass Hinge 8399 T/B US32D
 Patch Lock US 75-20 (FRP) US32D	 Striking Box GK7520 (FRP) US32D
 Patch Fitting PT 1207 US32D	 Top Track KEND 630 (7-43-3M)
 Brush Mohair GG.75.022	 Nylon Wheels KEND 630 (7-263)
 Gasket Glass (Bracket Mohair) GG.75.020	 Flush Handle FRP.75.01 US32D
 Top Wheels KEND 640	 Glass Latch US 7519 US 26
	 D-Proof Strike B 17mm

 Elbow Joint KEND 640 (C-85-2)	 Top Track KEND 640	 SSS Latch GRD KP-1202 L	 SSS Latch GRD KP-1202 P	 Double Cylinder 08610-10 US14	 Patch Lock SL75-105 US32D
 90° Joint KEND 640 (L85)	 T Joint - Left KEND 640 (T85L)	 T Joint - Right KEND 640 (T85R)	 Straight Joint KEND 640 (C-85-1)	 Gasket Glass (half Moon) GG.75.010	 Gasket Glass (Fan) GG.75.001

FOLDASIDE GLASS SYSTEM



Hotel Padma - Bandung

Product Name : **KEND Foldaside Glass System**
 Available for : 10 /12mm Tempered Glass
 Application for : Villa, Restaurant, Showroom, Mall, Hotel,
 Bank, Residential
 Material : Stainless Steel SUS 304
 Opening Style : Single & Double Opening
 Rail & Runner : Coburn ex England

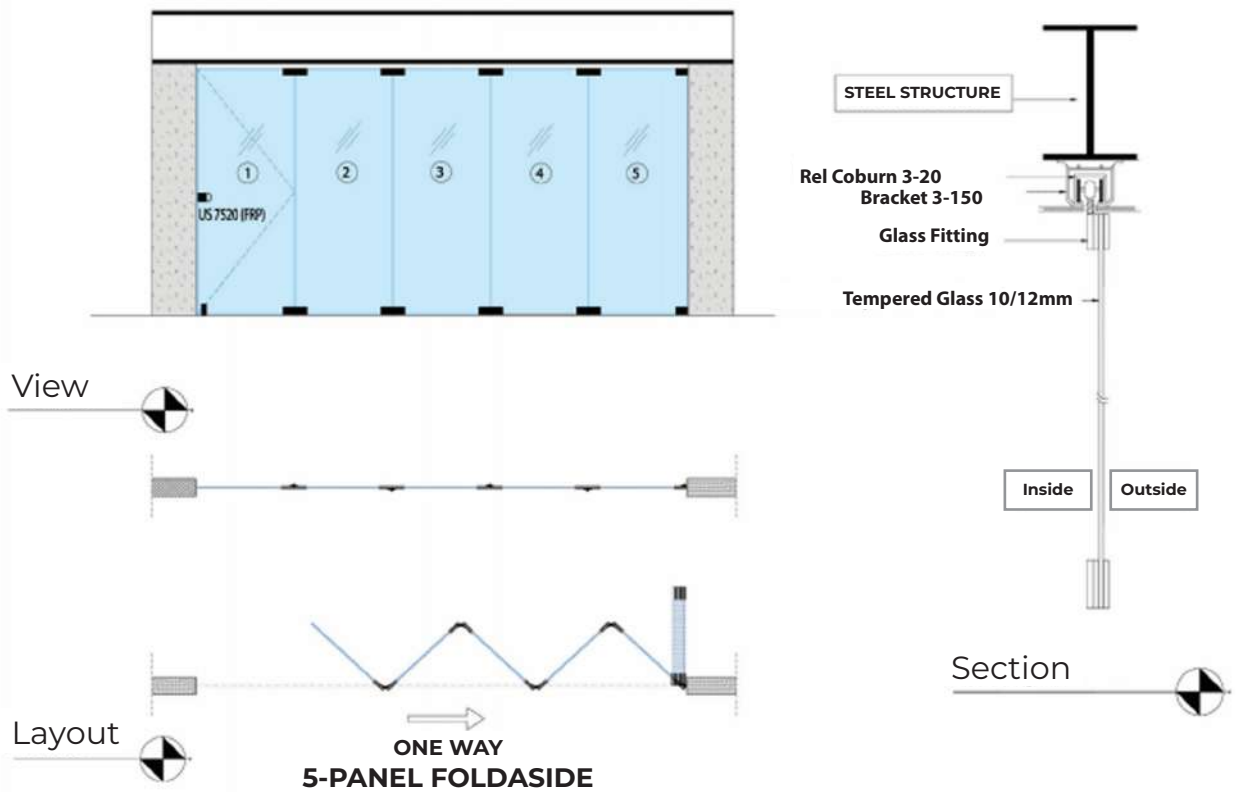
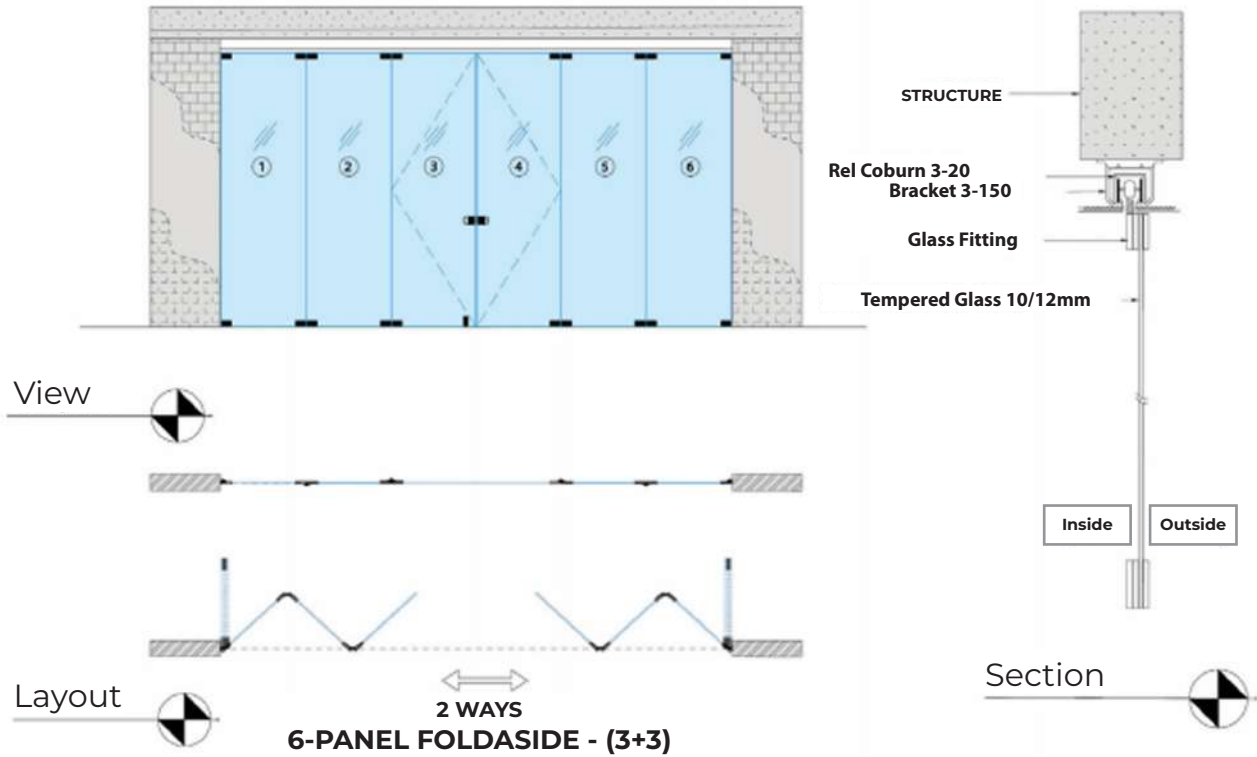
Features

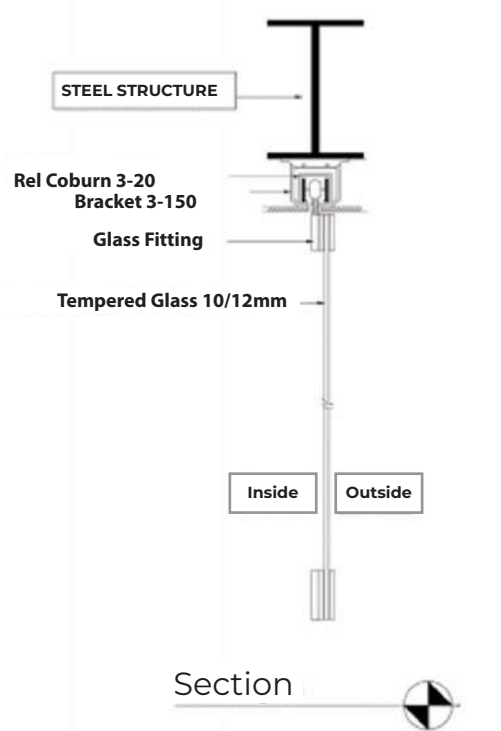
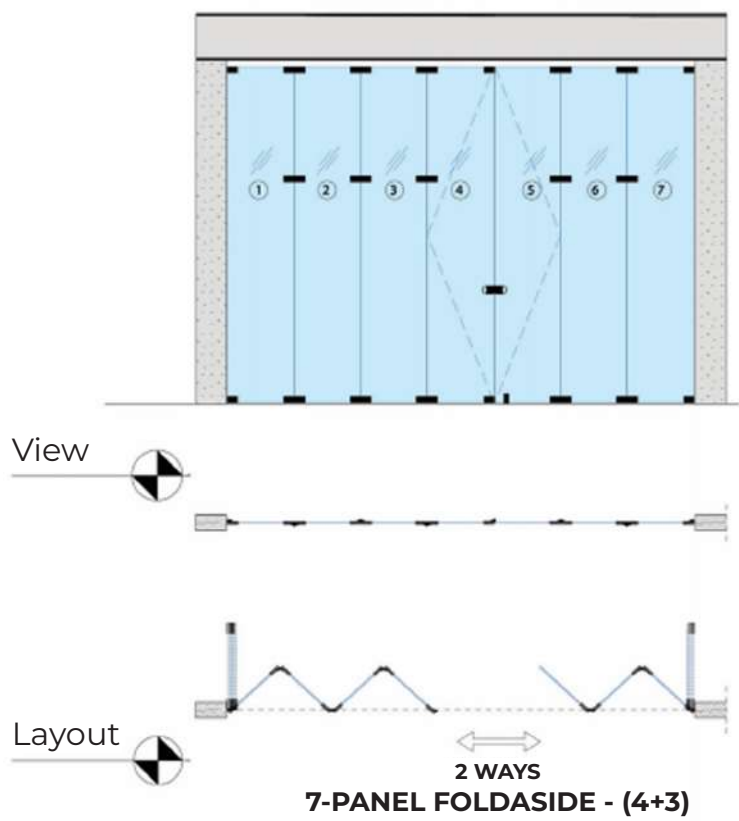
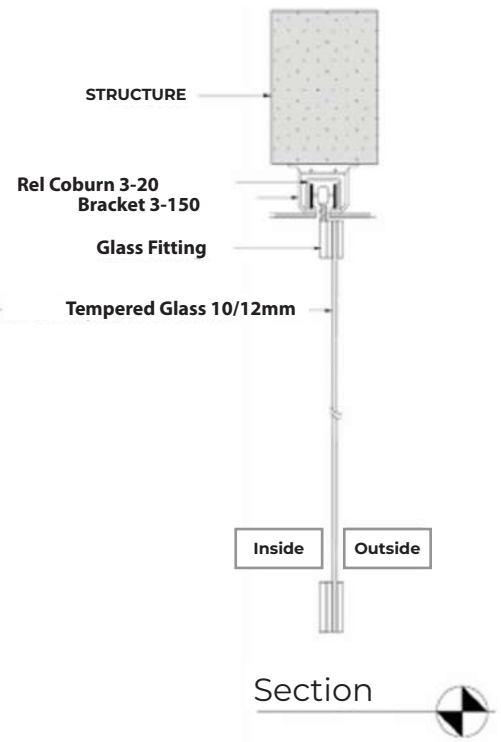
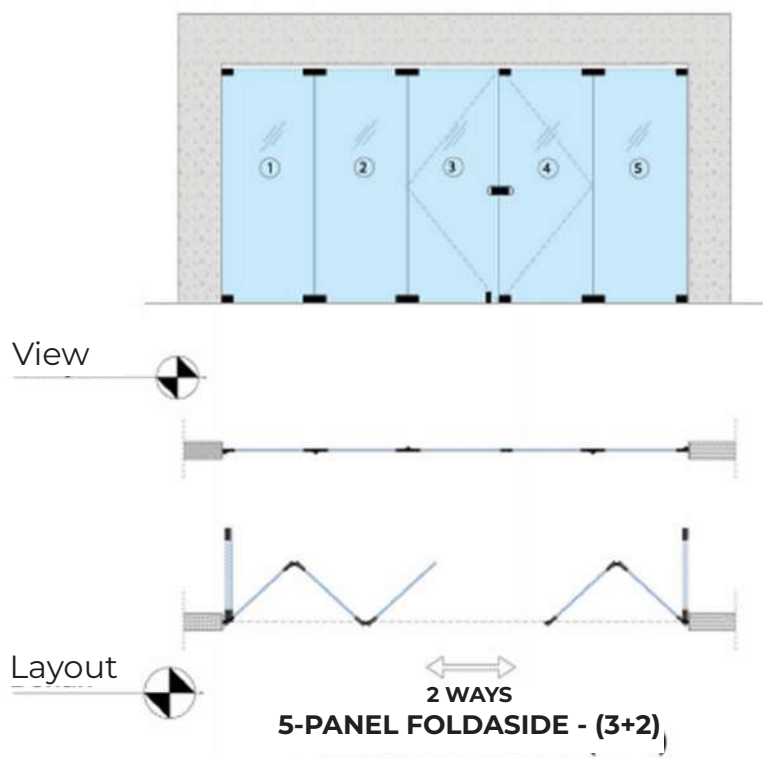
- Modern minimalist
- Clear view
- Maximized opening dimension
- Easy & safety operation
- Easy maintenance

Capacity :
 Max. Door Width : 800mm (For 2500-2700mm High)
 Using 2 Hinges
 Max. Door Width : 750mm (For 2700-3000mm High)
 Using 3 Hinges
 Max. Door Width : 650mm (For 3000-4000mm High)
 Using 3 Hinges

Outward Opening Configurations	
2	
2+1	
3	
2+2	
3+1	
4	
3+2	
4+1	
5	
3+3	
4+2	
5+1	
6	

FOLDASIDE GLASS SYSTEM





FOLDASIDE GLASS SYSTEM



Ampera - Jakarta

Product List



SLIDING GLASS SYSTEM



Grand Aston - Bali



Admiralty Residence at Pondok Labu - Jakarta

Product Name : **KEND Foldaside Glass System**
 Available for : 10 / 12mm Tempered Glass
 Application for : Villa, Restaurant, Showroom, Mall, Hotel,
 Bank, Residential
 Material : Stainless Steel SUS 304
 Rail & Runner : Coburn ex England
 Handle : Optional
 Capacity :
 Max. Door Weight : 70kg
 Max. Door Height: 4000mm

Features

- Modern minimalist
- Clear view
- Maximized opening dimension (without fixed glass)
- Safe space
- Easy & safety operation
- Easy maintenance
- Without bottom rail

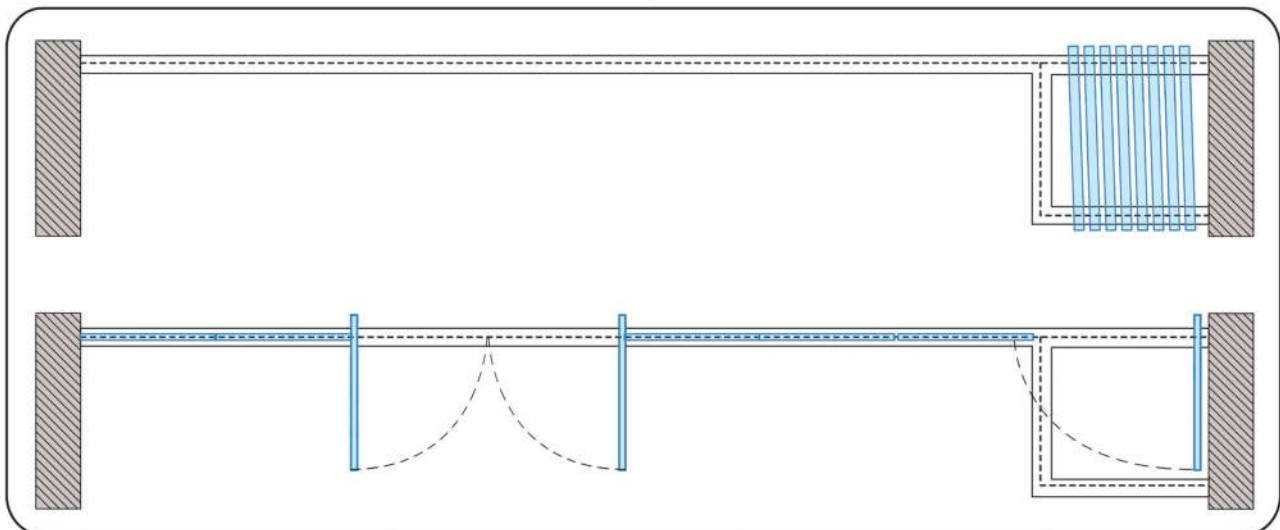
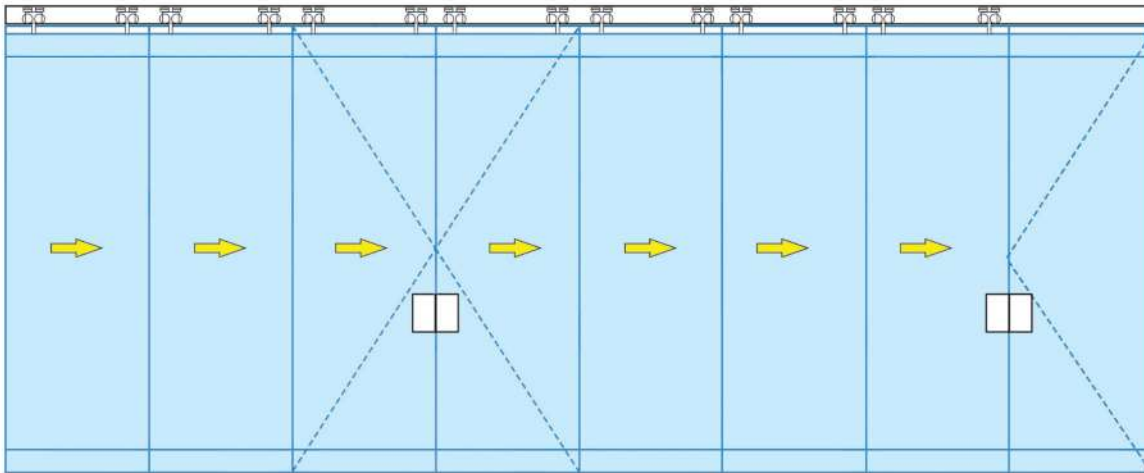


Cening Kids Club - Bali

Product List

 <p>Rel Coburn 3-20-3M Rel Coburn 3-20-4M Rel Coburn 2-16-3M Rel Coburn 2-16-4M</p>	 <p>Aluminium U</p>	 <p>Gasket Glass (Bracket Mohair) GG.75.020</p>	 <p>Breket Atas 3-150 Breket Atas 2-150</p>	 <p>Breket Samping 3-100 Breket Samping 2-100</p>
 <p>Roda Coburn 3-207 Roda Coburn 2-207</p>	 <p>Patch Fitting PT 1207 US 32 D</p>	 <p>Patch Lock 1265 + K3 1920 - 40 US 32 D</p>	 <p>Striking Box GK 1265 US 32 D</p>	 <p>Striking Box GK 1265/1 US 32 (glass overlap)</p>
 <p>Glass Sliding GS.61.01 US 32 D</p>	 <p>Glass Sliding GS.62.01 US 32 D</p>	 <p>Grendel Kaca US 7519 US 26</p>	 <p>D Cylinder 0610-10 US14</p>	 <p>Stopan Rel 400-179</p>
 <p>Brush Mohair GG.75.022</p>	 <p>Guide SL75-104 US 32 D</p>	 <p>D Proof Strike (Ø 17mm)</p>	 <p>Gasket Glass (Kipas) GG.75.001</p>	 <p>Gasket Glass (1/2 Bulan) GG.75.010</p>
 <p>Rel Atas KEND 640</p>	 <p>Roda Atas KEND 640</p>	 <p>Patch Lock SL 75-105 US32D</p>		

SLIDING PIVOT GLASS SYSTEM

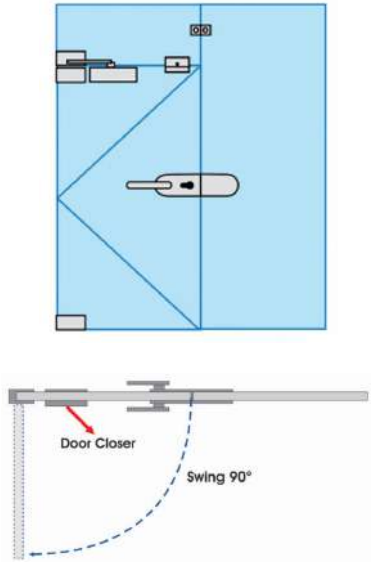


- Suitable for :
Shop front, House, Cafe & many more
- for 10 - 12 mm Tempered Glass
- Operation System : Slide
 Pivot
 Stack

PIVOT GLASS



Perumahan Sunter - Jakarta



Single Pivoting Glass System is combinable with surface mounted door closer.

- Single action
- No floor hinge needed

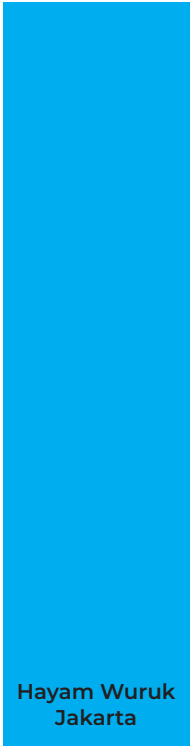
PIVOT	MAX LOAD			GLASS THICKNESS (MM)
		WIDTH (MM)	HEIGHT (MM)	
P-008	100 Kg	950	3000	12



Product List

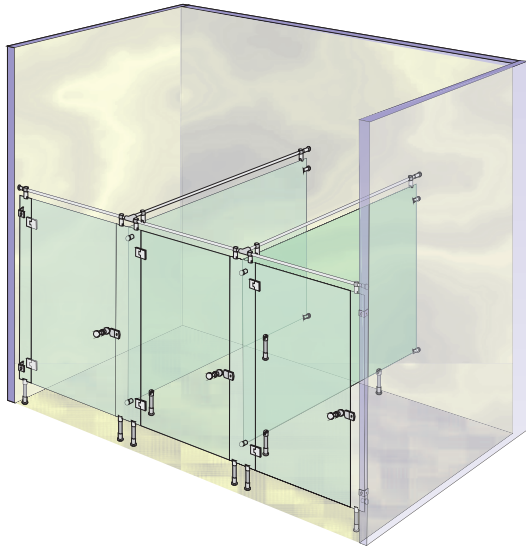
Pivot 8199 LH/RH US32D	Pivot 8199 T/B US32D	Door Closer RA DCL.83210.2-4	Bracket Door Closer 75205	
Bracket Stng DC 70mm x 34 x 20 US32	D Cylinder 0610-10 US14	Patch Lock US 7510 (HDL) US32	Striking Box GK 7510 US32	
Patch Lock SL75-105 US32D	Dust Proof Strike (Ø 17mm)	Bottom Track	Glass Gasket (half moon)	Glass Gasket (Fan)

CUBICAL TOILET GLASS

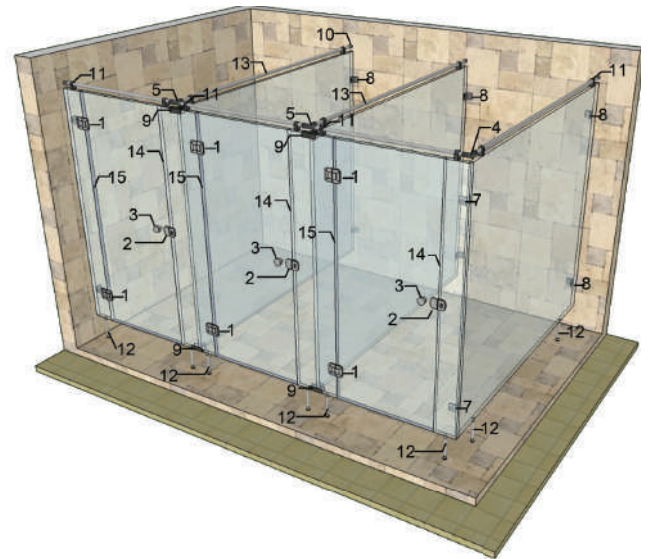


CUBICAL TOILET GLASS

Wall to Wall



Glass to Wall



- The standard application is wall to wall
- Glass to wall installation can be done with additional charges
- Size could be adjusted based on space and conditions

Product List

 <p>Shower Hinge E 572 180° US32</p>	 <p>Cubical Lock CL 75-04 US 26</p>	 <p>Knob 75214-35MM US26</p>	 <p>Shower Bracket SB 109 PP 90° US32</p>	 <p>Socket T ST 19MM US32</p>
 <p>Shower Bracket SB 003 PP</p>	 <p>Angular Fitting AF 75-50/2 90° US26</p>	 <p>Angular Fitting AF 75-50/1 US26</p>	 <p>Angular "T" SS US32</p>	 <p>Shower Bracket SB 101 WP US32</p>
 <p>Shower Bracket SB 102 PG US32</p>	 <p>Cubical Bracket CB 101-S US32</p>	 <p>Stainless Pipe 19MM</p>	 <p>Gasket Glass GG.75-001, 2.2M (10MM)</p>	 <p>Gasket Glass GG.75-010, 2.2M (10MM)</p>

CUBICAL TOILET LM**Product Specifications****12mm Laminated MR Toilet Cubicle**

- MR laminasi 12 mm warna putih (MDF 12 mm yang diproses laminasi)
- Frame aluminium warna hitam
- Accessories by KEND
- Standard door size: 600mm wide
- Standard cubicle legs height: 10-20cm

CUBICAL TOILET LM



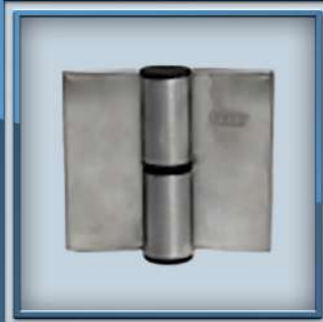
ACCESSORIES



INDICATOR LATCH GI410



KNOB 75-214 35 MM



RISING HINGE RH03R
RISING HINGE RH03L



CUBICLE BRACKET CB 101 S

MOVABLE SOUND REDUCING PARTITION



Club House Pantai Indah Kapuk Jakarta

Introduction

In bigger rooms, there might be demands to provide different kinds of spaces for various usage. Open space is the new design trend, where spaces need to be reconfigured for different purposes. The best solution to utilize open space efficiently is to use Movable Sound Reducing Partitions.

For more than twenty years of experience, Kenari Partisi has been the leading partition manufacturer in Indonesia. Kenari Partisi offers the best movable sound reducing partitions in the market with two years mechanical warranty.

Kenari Movable Sound Reducing Partitions are suitable for use in banquet room, meeting room, classroom, convention center, hotel, school, office, restaurant, entertainment center, church, and other places.

Space Optimization

Kenari Movable Sound Reducing Partition can increase the efficiency and flexibility of a space. A large room can be easily transformed into several small rooms with minimal set-up time.

Kenari Movable Sound Reducing Partition can be designed and utilized in a variety of ways of opening, closing, and stacking according to your needs.

Sound Reduction

Kenari Sound Reducing Partitions are made by the highest quality material to deliver the best sound insulation.

Our partitions can be reduce up to 53,5 dB (type KP325), which had been tested on the PUSLITBANG LIPI.

Standard Accessories

HDL PARTISI FP-800	FLUSH HANDLE	HINGE	BALL CATCH FOR WICKED DOOR	FLUSH BOLT	CRACK HANDLE JACK	LOCKCASE & CYLINDER



TELESCOPING PARTITION



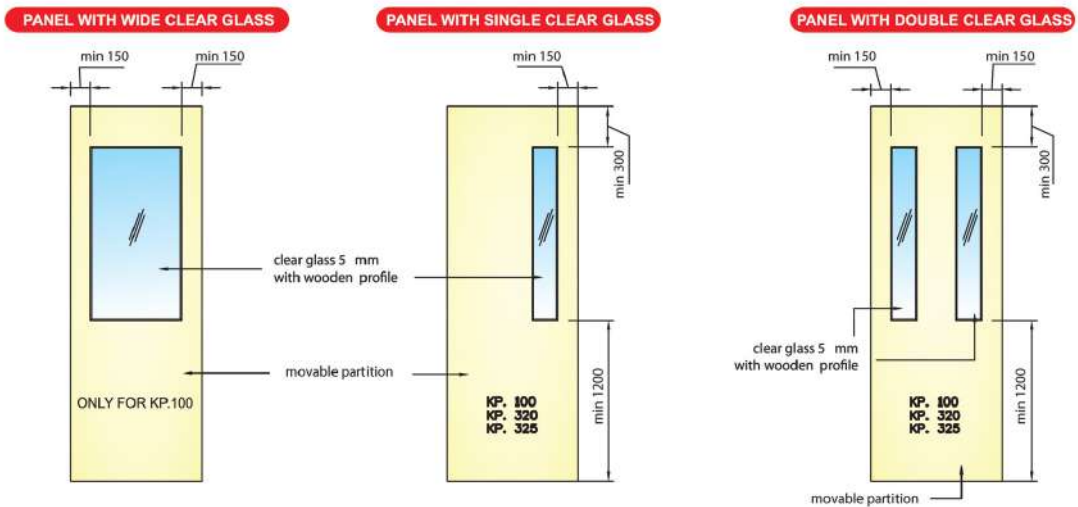
WICKED DOOR PARTITION



DOUBLES GLASS PARTITION



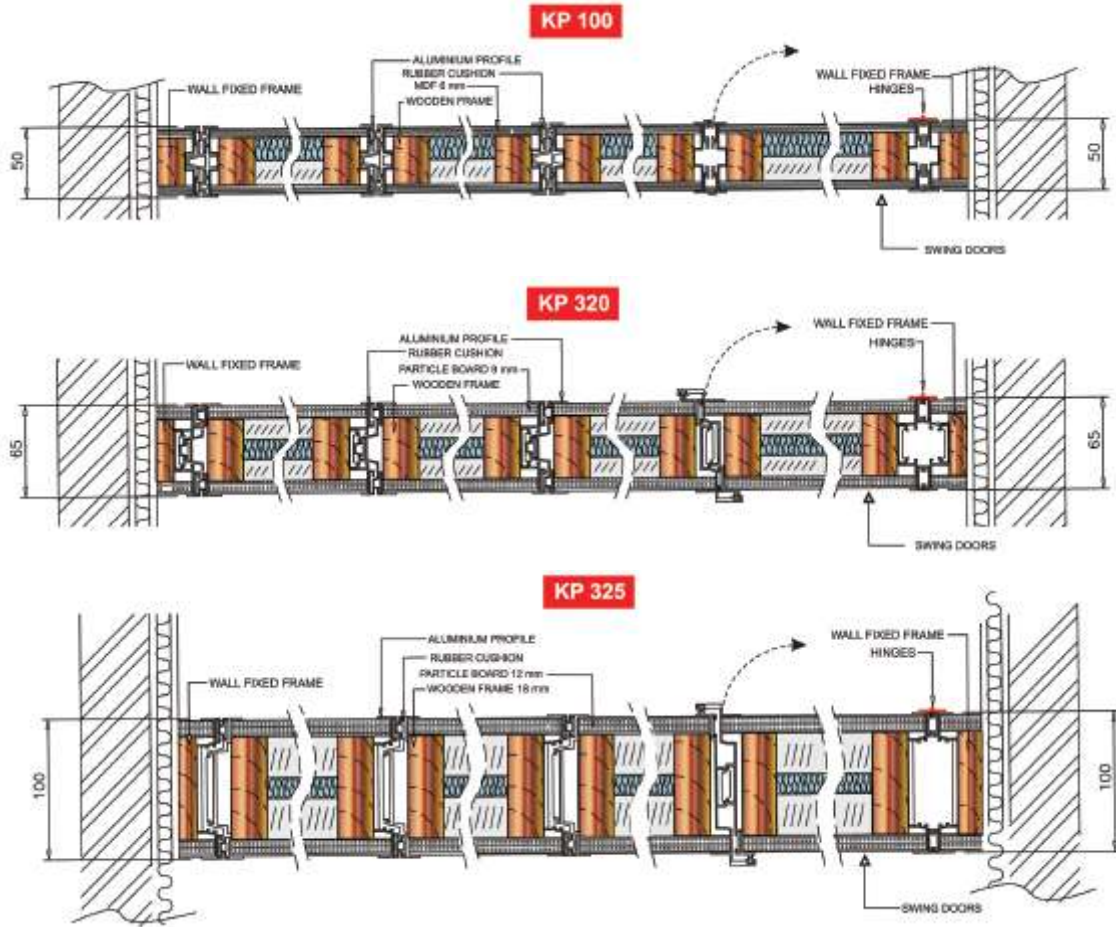
PANEL WITH CLEAR GLASS



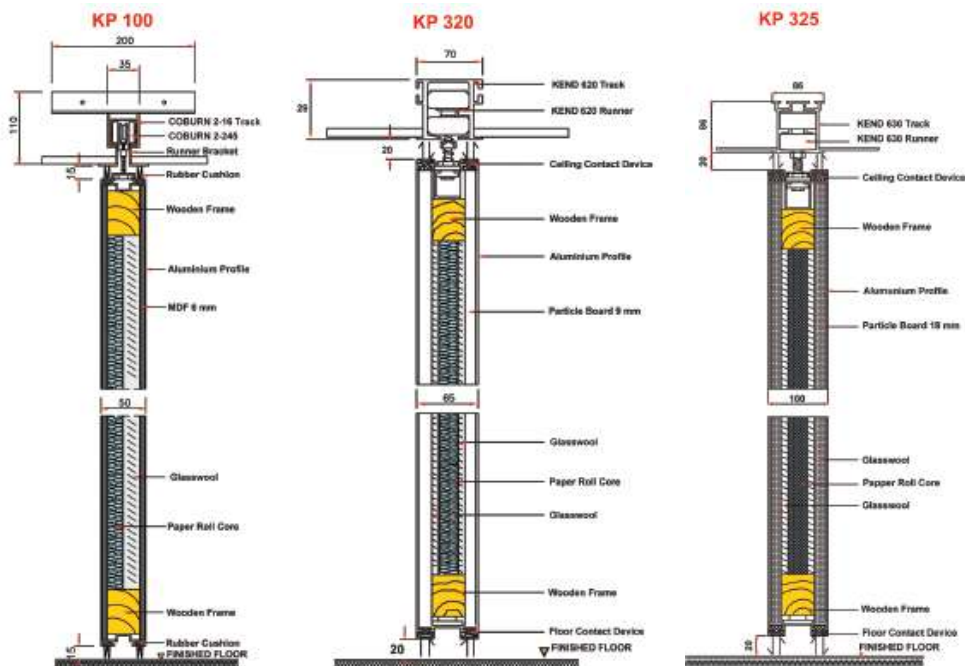
STACKING SYSTEM

	Plan	Perspective	Applied by :	
Induction Stacking			Track & Runner :	Type :
			<ul style="list-style-type: none"> • KEND 620 2 Runner 	<ul style="list-style-type: none"> • KP 100 • KP 320
			Track & Runner :	Type :
			<ul style="list-style-type: none"> • KEND 630, 640 2 Runner 	<ul style="list-style-type: none"> • KP 325
Center Stacking			Track & Runner :	Type :
			<ul style="list-style-type: none"> • COBURN 1 Runner 	<ul style="list-style-type: none"> • KP 100 • KP 320 • KP 325
			Track & Runner :	Type :
			<ul style="list-style-type: none"> • KEND 620, 630, 640 1 Runner 	<ul style="list-style-type: none"> • KP 100 • KP 320
Ordinary Stacking			Track & Runner :	Type :
			<ul style="list-style-type: none"> • KEND 620 2 Runner 	<ul style="list-style-type: none"> • KP 100 • KP 320
			Track & Runner :	Type :
Paralel Stacking			Track & Runner :	Type :
			<ul style="list-style-type: none"> • KEND 620 2 Runner 	<ul style="list-style-type: none"> • KP 100 • KP 320
			Track & Runner :	Type :
			<ul style="list-style-type: none"> • KEND 630, 640 2 Runner 	<ul style="list-style-type: none"> • KP 325
			Track & Runner :	Type :
			<ul style="list-style-type: none"> • KEND 620 1 Runner 	<ul style="list-style-type: none"> • KP 100 • KP 320
		Track & Runner :	Type :	
		<ul style="list-style-type: none"> • KEND 630, 640 1 Runner 	<ul style="list-style-type: none"> • KP 325 	
		Track & Runner :	Type :	
<ul style="list-style-type: none"> • COBURN 1 Runner 	<ul style="list-style-type: none"> • KP 100 • KP 320 			
<ul style="list-style-type: none"> • KEND 640 1 Runner 	<ul style="list-style-type: none"> • KP 325 			

INTERCONNECTING PANEL MECHANISM



MATERIAL (CROSS SECTION)



COMPARISON CHART FOR MOVABLE SOUND REDUCING PARTITION

MOVABLE SOUND REDUCING PARTITION TYPE		KP 325	KP 320	KP 100
FUNCTION FOR		Meeting room, Banquet room, etc.	Classroom, Meeting room, Office, Restaurant, Sport Hall, Multifunction Room, etc.	Classroom, Polyclinic room, etc.
SOUND INSULATION AT LAB. TEST		53,5 dB	41 dB	37 dB
PANEL THICKNESS		100 mm	65 mm	50 mm
MATERIALS	Surface Material	Reinforced Material		
		Particle Board	MDF	
	Inside Material	Glasswool / Rockwool (*optional)		
		Paper Roll Core		
	Frame	Aluminium Frame		
Finishing Frame	Natural Anodized			
	Powder Coating (*optional)			
MANUFACTURABLE DIMENSIONS	Minimum Panel Width	900 mm	900 mm	900 mm
	Maximum Panel Width	1200 mm	1200 mm	1200 mm
	Maximum Panel Height	7000 mm	5000 mm	3000 mm
PANEL WEIGHT		± 40 kg/m ²	± 25 kg/m ²	± 20 kg/m ²
STACKING SYSTEM	KEND 620,630 System	Ordinary Stacking, Paralel Stacking, Induction Stacking, Center Stacking		
	COBURN'S System	Centre Stacking, Paralel Stacking, Curve Stacking		
CEILING/FLOOR CONTACTING MECHANISM		Rubber Contact for Ceiling & Floor		
FINISHING PANEL		UNFINISHED PANEL (FINISHING PANEL BY OTHER)		

HOW TO ORDER KENARI SOUND REDUCING PARTITIONS ?

- Determine your placement space.
If you wish divide an existing area, determine where you will be placing the partition at.
- Determine your needs.
We will help you estimate the amount and suitable partition design needed for your preferred space.
- What type of activities will be held in the room?
Customer often requests the highest partition sound rating without considering the sound insulation of the entire room. To achieve the optimum sound insulation rating, the room in which partitions are located must have a rating equivalent to that partitions installed. This can be measured through an acoustic test.
- How much storage space is available?
Prepare space where partitions will be stored when they are not in use. The location and the space will affect partition configuration.
- Do you have special finishing needs?
We provide unfinished panels that could be coated with vinyl, wallpaper, paint, carpet, fabric, wood, veneer, or any other design based on your interior needs.

HOTELS



- Grand Inna Putri Bali
- Swiss-Bel Hotel
- Hotel Waecicu Labuan Bajo
- Amanjiwo Resort
- Beach Resort La Villa's Seminyak
- Indigo Hotel Seminyak
- Indigo Hotel Bintan
- InterContinental Bali Resort
- InterContinental Pondok Indah
- Max One
- The Legian Hotel Seminyak Bali
- Andaz Hotel Sanur
- The Luxury Hotel Nusa Dua
- Harris Vertu Hotel
- Westin Hotel Jakarta
- Holiday Inn Resort Bintan Lagoi Beach
- The Westin Resort & Spa Ubud
- Citadines Hotel Residence
- 101 Hotel Darmawangsa
- Mercure Bandung City Centre
- Grand Hyatt Hotel Bali
- Grand Hills Hotel
- Hilton Hotel Nusa Dua
- Grand Jayaraya
- Sofitel Nusa Dua
- Hotel Marriot Seminyak
- Paragon Village
- Renaissance Bali Nusa Dua
- Hotel Nite & Day Alam Sutera
- Horison Hotel
- JHL Hotel Serpong
- Nihi Hotel Waecicu
- Nihi Hotel Sumba
- Vue Palace Hotel
- Bulgari Hotel Bali
- Fairmont Hotel Jakarta
- Four Season Hotel Jakarta
- Ritz Carlton Ubud Bali
- Kimpton Nusa Dua Bali
- Hotel Aston Belitung
- The Westin Jakarta
- Kempinski Hotel
- St. Regis Bali Resort



OFFICES & APARTMENTS



Apartments

- Saumata Apartment
- Senayan City Apartment
- Kengsinton Apartment
- Senopati Suite
- Southgate Residence
- Newton Apartment Ciputra World
- One Park Avenue
- Royal Residence Apartment
- Sky Terrace
- Thamrin Residences
- Windsor Apartment
- Fifty Seven Promenade

Offices & Buildings

- Kalla Tower Makassar
- Senayan City
- Summarecon Mall
- Ciputra World
- Bank BNI 46
- Graha Telkomsel
- Gudang Garam
- Kantor Dinas Pekerjaan Umum
- Kidzania Pacific Place Jakarta
- Pabrik Sari Roti
- PT. Tempo
- Perpustakaan Nasional
- Trans TV
- Wisma Djarum Kudus
- Kedutaan Prancis
- Jakarta International Stadium
- Bandara Hasanuddin Makassar
- Terminal 1 Soekarno Hatta
- Terminal 2 Soekarno Hatta
- Terminal 3 Soekarno Hatta
- Bandara Husein Sastranegara
- Yogyakarta International Airport
- Universitas Pelita Harapan
- Universitas Multimedia Nusantara
- Institut Teknologi Bandung Jatinangor
- Universitas Gadjah Mada
- Jakarta International School
- Bina Nusantara Alam Sutra
- Sekolah BPK Penabur Kelapa Gading





Graha mas Kebon Jeruk Blok C5-6
 Jl. Raya Perjuangan No.1
 Phone : (021) 536 3506



Jl. Pinangsia Raya 16 B-C
 Phone : (021) 690 5280



Jl. RS Fatmawati 72/14-15
 Cipete (Blok A)
 Phone : (021) 720 0630



Plaza Kenari Mas, GF Blok. C
 Phone : (021) 3984 2790



Bandung :
 Jl. Kebon Kawung No. 64 A-B
 Phone : (022) 426 6388



Jl. Magelang KM 1 No. 67 Kav. C
 Kricak, Tegalrejo - Jogjakarta
 Phone : (0274) 562 312



Semarang :
 Jl. Agus Salim Komplek THD Blok C/8
 Phone : (024) 356 4255/56



Gading Serpong:
 Ruko Alicante Blok D, No. 12
 Jl. Boulevard Andalucia, Tangerang
 Phone : (021) 5999 5751/2



Denpasar :
 Jl. Teuku Umar Barat (Marlboro) No. 55
 Phone : (0361) 490 678



Makassar :
 Jl. Sulawesi No. 201
 Phone : (0411) 361 0030



Customer Service

021-5367070
 0812 8567 7070
 0819 0506 7171



**EMERGENCY SERVICE
 24 HOURS**

0811 131 675 (Jakarta)
 0815 4244 3639 (Semarang)

Distributor Resmi Kenari Djaja

ROOMS, Jl. Kedungdoro No. 58 Surabaya
 Phone : (031) 531 2000, Fax : (031) 548 1818

Juni 2023

**SCAN HERE FOR
 FULL CATALOGUE**

